



GENERAL INFORMATION

ArcLamp is a retrofit LED lamp specifically designed for auditoriums where flawless dimming is critical. Each lamp contains advanced control technology ensuring latency-free activation of multiple lamps on a single circuit.

The 24V ArcLamp connects to a dedicated remote power supply - typically located in a dimmer/plant room - utilizing the same cable that connects an existing incandescent lamp to a dimmer. Re-purposing this existing incandescent cable allows for simple, non-invasive installation of ArcLamp.

The use of onboard device management in the driver allows all fixtures to be addressed remotely, ensuring fast and simple installation.

ArcLamp FTW (Fade-To-Warm) includes an additional six amber emitters and a proprietary internal algorithm to warm the color temperature of the lamp as it fades mimicing incandescent red shift.

APPLICATIONS

- Auditoriums
- Lobbies
- Houses of worship
- Museums
- Retail

FEATURES

- Designed for use with ArcLamp Driver
- Smooth dimming to zero
- Silent operation
- Frosted or clear glass options

ORDERING INFORMATION

ARCLAMP					
Lamp Series	Base	Globe/Candle	Voltage	Glass	Color Temp
ARCL	E12	G	24 - 24V	F - Frosted	2700
	E26	C		C - Clear	3000

ARCLAMP FADE TO WARM					
Lamp Series	Base	Globe/Candle	Voltage	Glass	Color Temp
ARCLF	E12	G	24 - 24V	F - Frosted	2700
	E26	C		C - Clear	

Note: An ArcLamp Driver is required to operate this product. Please order separately.

IMPORTANT: 24V ArcLamp must not be connected to line voltage

Example order code: ARCLE12C24F2700

This order code is for an ArcLamp candle, E12 Base, 24V, Frosted, 2700K.



SPECIFICATIONS

OPTICAL

- 280 lumen output
- CRI >90 (Typical 94)
- 2700 K and 3000 K CCT options for standard ArcLamp
- 2700 K CCT option with Fade-To-Warm feature for ArcLamp FTW

ELECTRICAL

- 24V DC operating voltage
- Volt drop calculator available at www.etcconnect.com/ArcLamp
- 4.4W

24V LAMP CONTROL (VIA SEPARATE DRIVER)

- DMX
- Remote, wireless configuration using ArcSystem commissioning software

MECHANICAL

- Available in E12 and E26 lamp bases

THERMAL

- Low heat generation

PHOTOMETRIC

- L70 rating (hours to 70% output): 36,000 hours
- See separate LM79 report for full photometric information

PHYSICAL

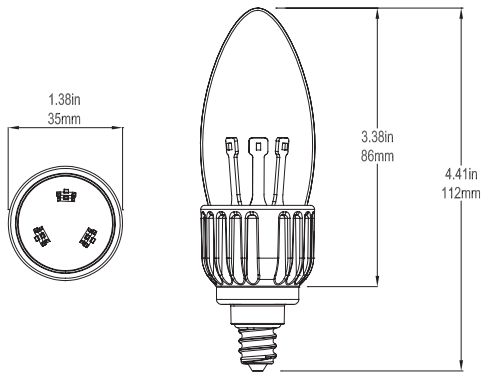
Product Dimensions

MODEL	HEIGHT		WIDTH		DEPTH	
	inches	mm	inches	mm	inches	mm
E12 Candle	4.41	112	1.38	35	NA	NA
E12 Globe	3.46	88	1.77	45	NA	NA
E26 Candle	4.45	113	1.38	35	NA	NA
E26 Globe	3.54	90	1.77	45	NA <td NA	

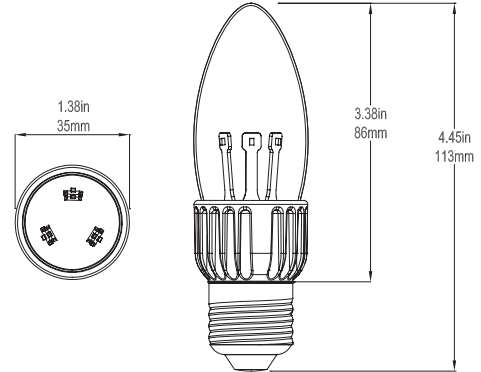
Product Weight

MODEL	PRODUCT WEIGHT		SHIPPING WEIGHT	
	lbs	kgs	lbs	kgs
E12 Candle	0.16	0.073	0.18	0.082
E12 Globe	0.16	0.073	0.18	0.082
E26 Candle	0.16	0.073	0.18	0.082
E26 Globe	0.16	0.073	0.18	0.082

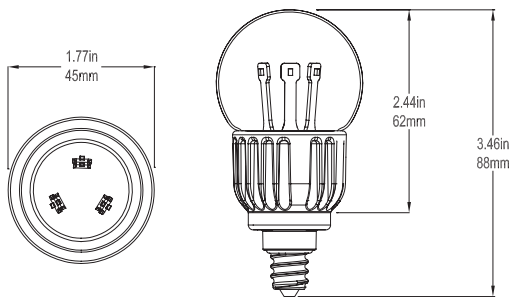
E12 CANDLE



E26 CANDLE



E12 GLOBE



E26 GLOBE

