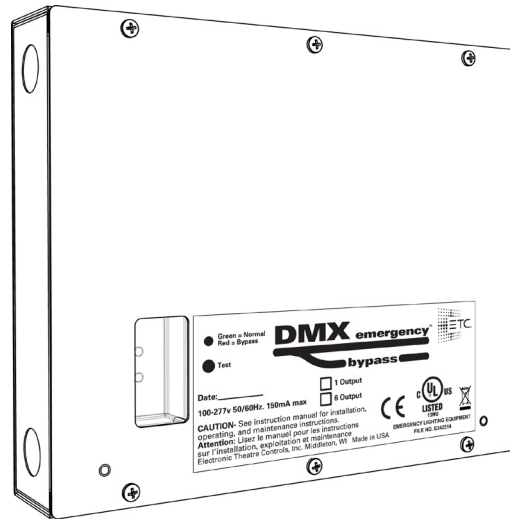


120V 220/240V 277V



## GENERAL INFORMATION

The DMX Emergency Bypass Controller provides a simple and cost-effective solution for control bypass of LED houselight systems in emergency lighting applications. The DMX Emergency Bypass Controller uses a single contact-closure input to bypass the DMX control signal and output a pre-configured DMX signal.

### APPLICATIONS

- DMX houselights
- Permanently-installed, DMX-controlled LEDs
- Theaters
- Auditoriums
- Houses of worship

### FEATURES

- UL924 LISTED DMX control bypass
- Single DMX input available with one output or six optically-isolated outputs
- Wires in-line with DMX fixtures or other DMX devices
- Uses a single maintained contact closure to activate DMX bypass
- Contact closure may be normally-open or normally-closed, wet or dry, configurable in the field
- Drives all 512 channels to full, or to customized DMX snapshot preset, when contact closure is present

### GENERAL

- UL924 LISTED
- CE compliant
- RoHS compliant
- WEEE compliant

## ORDERING INFORMATION

### DMX Emergency Bypass Controller

MODEL	DESCRIPTION
DEBC-1	DMX Emergency Bypass Controller, 1-output
DEBC-6	DMX Emergency Bypass Controller, 6-output

### Related Products

MODEL	DESCRIPTION
EBDK	Emergency Bypass Detection Kit
SC1008	Branch Circuit ELTS (BCELTS)
ELTS2	Emergency Lighting Transfer System

Note: the DMX Emergency Bypass Controller is suitable for use with UL924 listed fixtures and power panels as part of a control bypass system for emergency lighting.

Appropriate UL1008 listed power transfer equipment is required to comprise a complete emergency lighting system.



**SPECIFICATIONS****FUNCTIONAL**

- Overrides a single universe of ANSI E1.11–2008, USITT DMX512-A control signals from “Normal” to “Bypass” when a trigger signal is detected via a contact closure
- Sends DMX signal to a single output or up to six (6) optically-isolated outputs
- Polls the bypass trigger input after a power loss to ensure proper state at startup
- Provides unprocessed DMX pass-through in normal operation mode
- Supports a single configurable DMX preset (snapshot) of 512 channels for recall when control is bypassed
- Recalls default or recorded preset immediately whenever the bypass input is triggered and power is present

**MECHANICAL**

- Enclosure constructed of 18-gauge, formed steel panels with a removable front cover finished in fine-textured powder-coat paint
- Designed for wall-mount applications
- Internal voltage barrier provides separate wiring compartments for power and control wiring
- Bi-color LED status indicator visible from the exterior of the enclosure.
  - Green: power is present and controller is functioning in normal state
  - Red: controller is functioning in bypass state
- Recessed test button to manually trigger bypass state is user-accessible without removing covers
- Internally-accessible DIP switches for configuration of:
  - DMX record mode
  - Contact input type
  - Wait-time to restore incoming DMX (bypass trigger removed)
- Internally accessible button for DMX record (snapshot) of bypass preset with an indicator LED for record action

**ELECTRICAL**

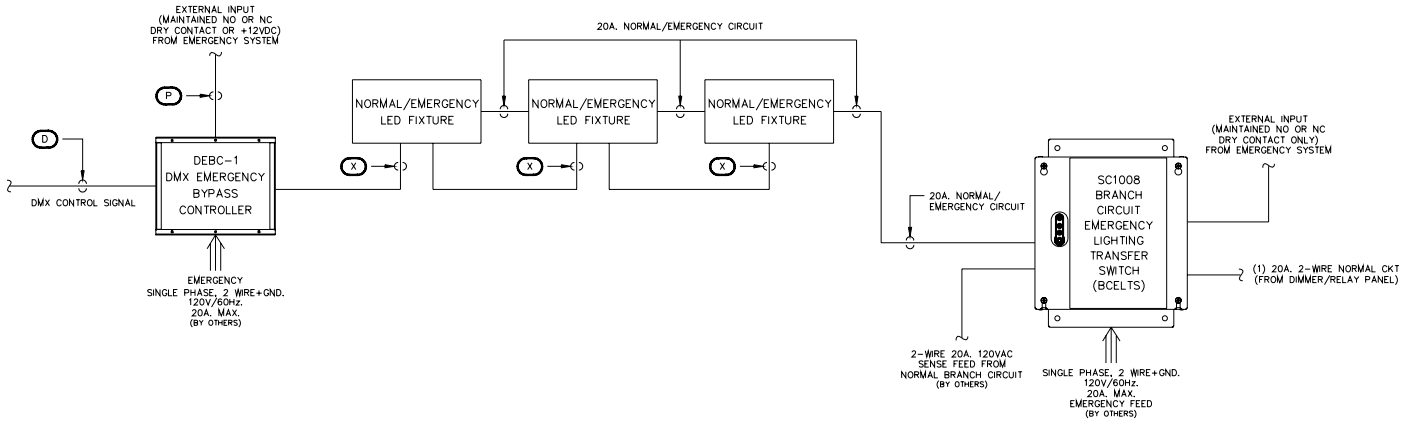
- Supports 100V to 277V input power, 50/60Hz, 0.2A maximum current
- Power input terminals accept two 24–10 AWG solid or stranded wires
- Grounding lug accepts 14-2 AWG solid or stranded ground wire
- Bypass contact input supports two 30-12 AWG low-voltage wires with two modes:
  - Configurable dry contact input supports maintained normally open (NO) or normally closed (NC) triggering
  - Wet contact input for interface with external systems, including fire alarms
- Supports one universe (512 channels) of DMX data compliant with ANSI E1.11–2008, USITT DMX512-A
  - DMX output and DMX input terminals for Belden 9729 cable or equivalent
- Non-volatile memory storage for a single recorded scene of 512 channels
- UL and cUL 924 LISTED for emergency lighting applications
- DEBC-1 passes RDM data in normal mode
- DEBC-6 passes RDM data through output one in normal mode

**THERMAL**

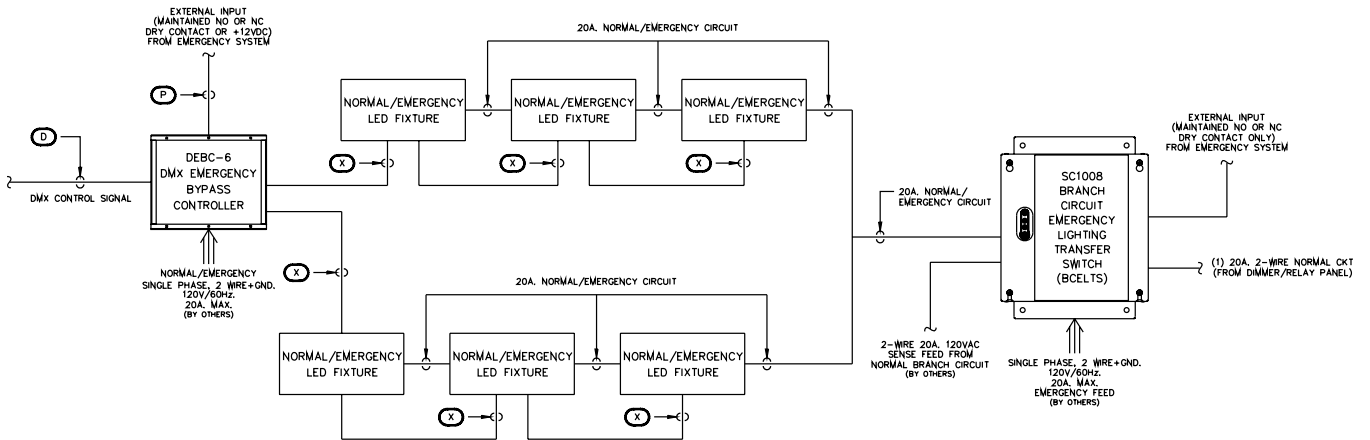
- Ambient room temperature: 0-40°C / 32-104°F
- Ambient humidity: 10-95% non-condensing

### DMX EMERGENCY BYPASS CONTROLLER RISER DIAGRAMS

#### 1-OUTPUT DMX EMERGENCY BYPASS



#### 6-OUTPUT DMX EMERGENCY BYPASS



NOTE: ONLY TWO OUTPUTS ARE SHOWN FOR CLARITY. UP TO SIX OUTPUTS ARE AVAILABLE.

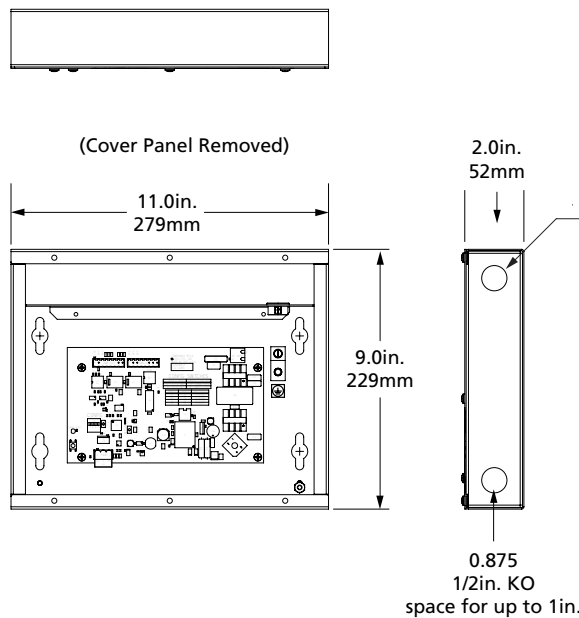
PHYSICAL

**DMX Emergency Bypass Controller Dimensions\***

MODEL	HEIGHT		WIDTH		DEPTH	
	inches	mm	inches	mm	inches	mm
DEBC-1	9.0	229	11.0	279	2.0	52
DEBC-6	9.0	229	11.0	279	2.0	52

**DMX Emergency Bypass Controller Weight\***

MODEL	WEIGHT		SHIPPING WEIGHT	
	lbs	kgs	lbs	kgs
DEBC-1	8	3.6	8.7	3.9
DEBC-6	8	3.6	8.7	3.9



**Corporate Headquarters** ● 3031 Pleasant View Rd, PO Box 620979, Middleton WI 53562 0979 USA ● +1 608 831 4116

**London, UK** ● Unit 26-28, Victoria Industrial Estate, Victoria Road, London W3 6UU, UK ● +44 (0) 20 8896 1000

**Rome, IT** ● Via Pieve Torina, 48, 00156 Rome, Italy ● +39 (06) 32 111 683

**Holzkirchen, DE** ● Ohmstrasse 3, 83607 Holzkirchen, Germany ● +49 (80 24) 47 00-0

**Hong Kong** ● Room 1801, 18/F, Tower 1 Phase 1, Enterprise Square, 9 Sheung Yuet Road, Kowloon Bay, Kowloon, Hong Kong ● +852 2799 1220

**Web** ● etconnect.com ● Copyright©2018 ETC. All Rights Reserved. All product information and specifications subject to change. 7180L1040 Rev G 01/18