

GENERAL INFORMATION

The Sensor3 RideThru option is one of two Power Support options designed for use in Sensor3 Power Enclosure used with CEM3 Power Control. The RideThru option will provide power to CEM3 for at least 6 seconds during brief power outages or dropouts.

APPLICATIONS

- Professional Theatre
- Studio
- Convention Centers
- Museums

FEATURES

- Designed for use in all Sensor3 installation racks
- Compatible with CEM3 Power Control.
- Provides a minimum of 6 seconds of back-up power for a single CEM3
- Automatically engages when power is lost
- Recharges during normal power operation

GENERAL

- UL and cUL LISTED
- CE marked

ORDERING INFORMATION

Sensor3 RideThru Option

MODEL	DESCRIPTION
SR3-RTO	Sensor3 RideThru Option Kit

Compatible racks

MODEL SERIES	DESCRIPTION
SR3	120V UL Sensor3 installation Enclosure
ESR3	230V CE Sensor3 installation Enclosure
HSR	240V UL Sensor3 installation Enclosure

Compatible Control Processors

MODEL	DESCRIPTION
CEM3	CEM3 Power Control

SPECIFICATIONS

GENERAL

- Provides power for a single processor for at least 6 seconds
- UL and cUL LISTED
- CE Marked

FUNCTIONAL

- Designed for use in all Sensor3 installation Racks
- Compatible with CEM3
- Seamless transfer from charge to power output without user intervention
- Recharges during normal power operation
- Prevents the Processor from rebooting when power returns
 - Allows for immediate control of the full system as soon as normal power is present

MECHANICAL

- Mounts inside the Sensor3 rack
- Required connections made using included two-wire harness with no additional wiring required

ELECTRICAL

- Seamless transfer to battery power upon loss of incoming line power
- Provides 24vDC power for control processor during power loss
- Provides backup power for at least 6 seconds during power loss
- Automatically recharges from power feed
- Charging voltage 10.6V +/- 0.5 volts
- Factory provided connectors for wiring terminations
- UL and cUL LISTED, CE Marked

THERMAL

- Ambient room temperature: 0-40°C / 32-104°F
- Ambient humidity: 30-90% non-condensing.

PHYSICAL

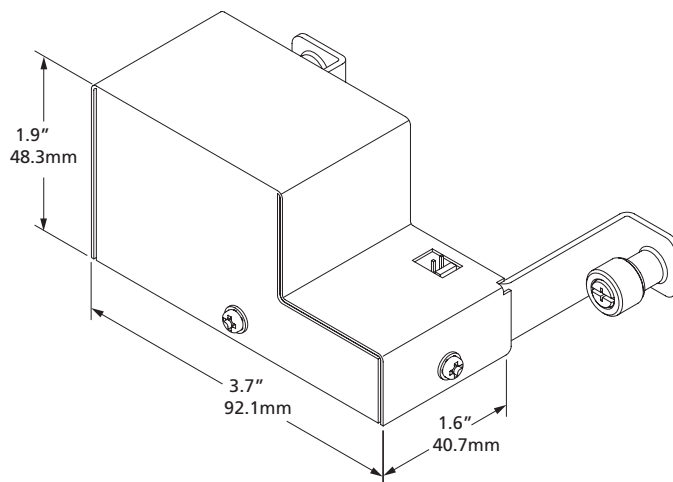
Sensor3 RideThru Option Dimensions*

MODEL	HEIGHT		WIDTH		DEPTH	
	inches	mm	inches	mm	inches	mm
SR3-RTO	1.9	48.3	3.7	92.1	1.6	40.7

Sensor3 RideThru Option Weights*

MODEL	WEIGHT		SHIPPING WEIGHT	
	lbs	kgs	lbs	kgs
SR3-RTO	0.8	0.4	1.1	0.5

*Weights and dimensions typical



Corporate Headquarters • 3031 Pleasant View Rd, PO Box 620979, Middleton WI 53562 0979 USA • Tel +1 608 831 4116 • Fax +1 608 836 1736
London, UK • Unit 26-28, Victoria Industrial Estate, Victoria Road, London W3 6UU, UK • Tel +44 (0)20 8896 1000 • Fax +44 (0)20 8896 2000
Rome, IT • Via Pieve Torina, 48, 00156 Rome, Italy • Tel +39 (06) 32 111 683 • Fax +44 (0) 20 8752 8486

Holzkirchen, DE • Ohmstrasse 3, 83607 Holzkirchen, Germany • Tel +49 (80 24) 47 00-0 • Fax +49 (80 24) 47 00-3 00

Hong Kong • Room 1801, 18/F, Tower 1 Phase 1, Enterprise Square, 9 Sheung Yuet Road, Kowloon Bay, Kowloon, Hong Kong • Tel +852 2799 1220 • Fax +852 2799 9325

Web • www.etcconnect.com • Copyright©2012 ETC. All Rights Reserved. All product information and specifications subject to change. 7140L1004 Rev. A 03/12