

**GENERAL INFORMATION**

The Source Four Mini can go where no full-sized Source Four has gone before. ETC's 50-watt Source Four Mini features the same crisp optics, user-friendly functionality and sleek look of the legendary Source Four fixture, but in a compact format that is a fraction of the original size.

The Source Four Mini Low-Voltage fixture allows for easy integration into 12V systems.

**VENUES**

- Museums
- Retail stores
- Restaurants
- Lobbies
- Light labs
- Theaters

**FEATURES**

- Rugged, die-cast fixture body
- Interchangeable lens tubes permit selection of 19°, 26°, 36° and 50° field angles (sold separately)
- Uniquely efficient optical system
- Effective heat dissipation using dichroic reflector for a cool beam
- Long-life dimmable tungsten source
- Three-plane shutters
- Multiple accessories available for color, pattern and filtering
- Multiple mounting options: C-Clamp and Canopy kits (sold separately)
- Custom paint colors available, contact ETC

**GENERAL**

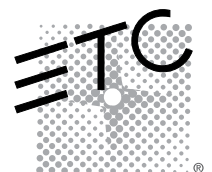
- ETL Listed to the following standards
  - UL 2108
  - CSA 22.2 No. 9.0

**ORDERING INFORMATION**

Source Four Mini

MODEL	DESCRIPTION
4MLV	Source Four Mini Low Voltage (black)
<b>COLOR OPTIONS</b>	
-1	White
-5	Silver

\*The Source Four Mini Low-Voltage fixture ships with a 12V MR16 lamp, pattern holder, barrel and yoke. Lens tubes and mounting accessories are sold separately.



## SPECIFICATIONS

**PHYSICAL**

- Die-cast aluminum construction (A380 grade)
- Fine-texture, high-temperature powder-coated paint
- Steel yoke with 0.406" diameter mounting hole
- Rotating shutter assembly  $\pm 175^\circ$
- E-Size gobo pattern holder (included)
  - 37.5mm with a 25.4mm image area
  - Holds patterns up to .05" thick (1.27mm)
- Removable rear housing for easy lamp replacement
- Stainless steel, full hard shutters in a tri-plane assembly, 0.40mm (A301 grade)
- Fixed beam angles to suit a range of throw distances
- Tool-free tilt and beam adjustment
- High-impact-resistant, thermally insulated knobs and shutter handles)
- Dual captive accessory slots for 2.75" (70mm) media frame (included with lens)
- Black or white power lead from fixture
- IP20 for Portable and Canopy versions
- IP40 for Track version

**ELECTRICAL**

- Accepts 12V class 2 power feed
- 18 AWG input wire size
- Dimmable (with external 12V dimmer)

## SPECIFICATIONS (CONT.)

**LAMP**

- Ushio 50W Eurostar™ IR MR-16 lamp (included)
- Long-life lamp: 5,000 hrs. average lamp life
- 35° flood beam spread
- 3000K color temperature
- Halogen capsule cuts harmful UV
- Titanium-oxide coating provides consistent color throughout life
- Axial Filament
- Base type: GU5.3

**OPTICAL**

- Fixed beam options of 19°, 26°, 36° and 50° field angles (sold separately)
- Projector-quality, high-contrast lenses
- Beam edge continually adjustable hard to soft

**THERMAL**

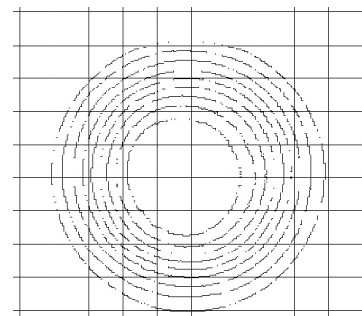
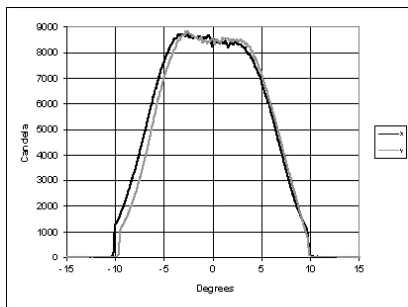
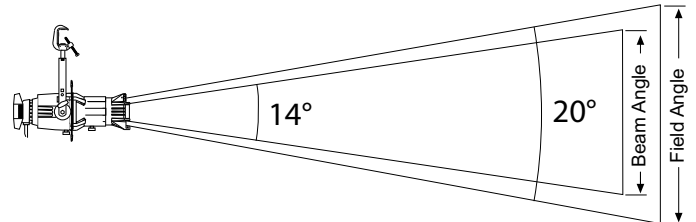
- 32°F to +122°F (0°C to +50°C)

PHOTOMETRICS

19 degree

FIELD LUMENS	BEAM LUMENS	BEAM ANGLE	FIELD ANGLE	CANDELA	LUMENS PER WATT
440	320	14.10°	19.54°	8,830	8.76

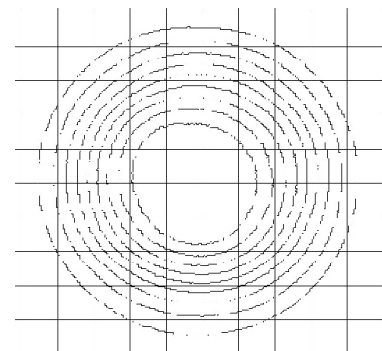
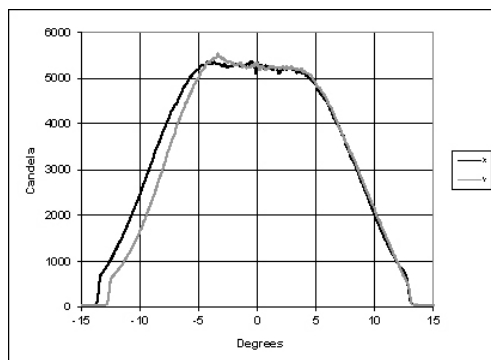
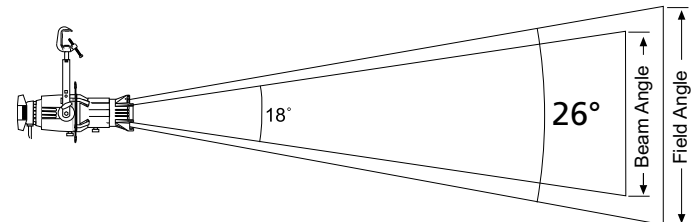
THROW DISTANCE	10ft 3.0m	15ft 4.6m	20ft 6.1m	30ft 9.1m
FIELD DIAMETER	3.4ft 1.0m	5.2ft 1.6m	6.9ft 2.1m	10.3ft 3.1m
ILLUMINANCE (FC)	88.3	39.2	22.1	9.8
ILLUMINANCE (LUX)	950	422	238	106



26 degree

FIELD LUMENS	BEAM LUMENS	BEAM ANGLE	FIELD ANGLE	CANDELA	LUMENS PER WATT
460	320	18.20°	25.80°	5,500	9.12

THROW DISTANCE	10ft 3.0m	15ft 4.6m	20ft 6.1m	30ft 9.1m
FIELD DIAMETER	4.6ft 1.4m	6.9ft 2.1m	9.2ft 2.8m	13.7ft 4.2m
ILLUMINANCE (FC)	55.0	24.4	13.8	6.1
ILLUMINANCE (LUX)	592	263	148	66

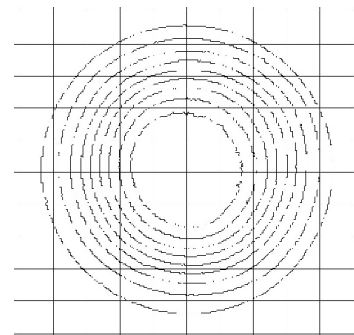
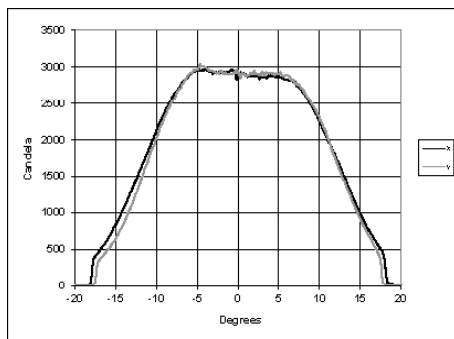
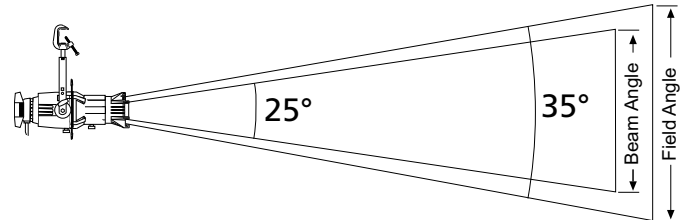


PHOTOMETRICS

36 degree

FIELD LUMENS	BEAM LUMENS	BEAM ANGLE	FIELD ANGLE	CANDELA	LUMENS PER WATT
480	330	25.2°	35.3°	3,030	9.56

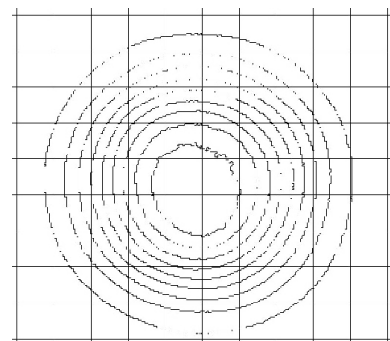
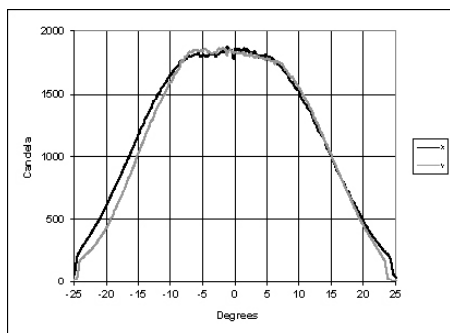
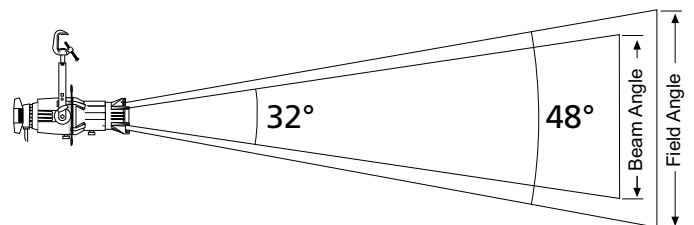
THROW DISTANCE	10ft	15ft	20ft	30ft
	3.0m	4.6m	6.1m	9.1m
FIELD DIAMETER	6.4ft	9.5ft	12.7ft	19.1ft
	1.9m	2.9m	3.9m	5.8m
ILLUMINANCE (FC)	30.3	13.5	7.6	3.4
ILLUMINANCE (LUX)	326	145	82	36



50 degree

FIELD LUMENS	BEAM LUMENS	BEAM ANGLE	FIELD ANGLE	CANDELA	LUMENS PER WATT
500	320	32.2°	48.0°	1,940	9.96

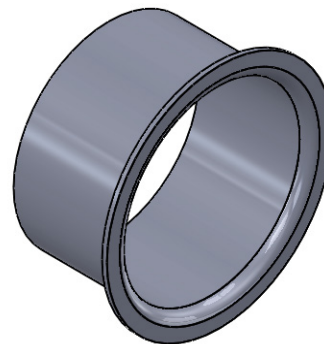
THROW DISTANCE	10ft	15ft	20ft	30ft
	3.0m	4.6m	6.1m	9.1m
FIELD DIAMETER	8.9ft	13.4ft	17.8ft	26.7ft
	2.7m	4.1m	5.4m	8.1m
ILLUMINANCE (FC)	19.4	8.6	4.9	2.2
ILLUMINANCE (LUX)	209	93	52	23



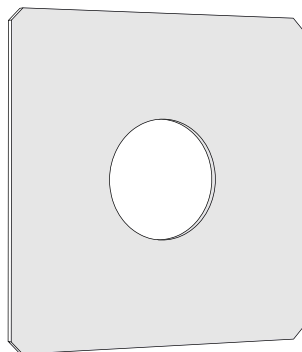
ACCESSORIES

**Source Four Mini LV Accessories**

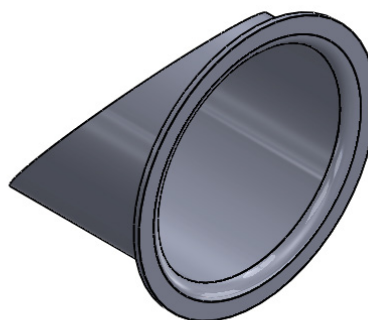
MODEL	DESCRIPTION
4MPH	Pattern holder
4MCF	Color frame
4MD	Donut
4MTH	Top hat
4MTHS	Top hat short
4MHH	Half hat
4MHHS	Half hat short
4MCC	Mini C-clamp
4MCK	Canopy kit
4M19LT	19° Lens Tube
4M26LT	26° Lens Tube
4M36LT	36° Lens Tube
4M50LT	50° Lens Tube



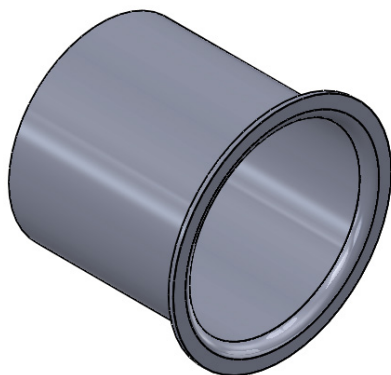
**4MTHS - TOP HAT SHORT**



**4MD - DONUT**



**4MHH - HALF HAT**



**4MTH - TOP HAT**



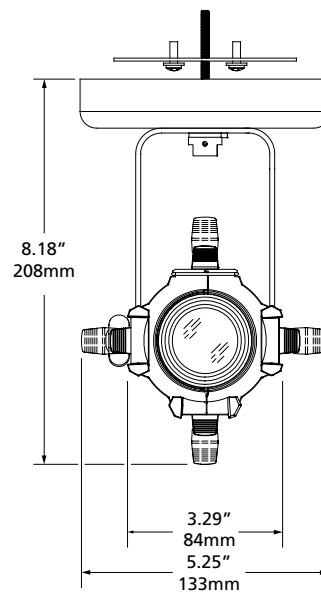
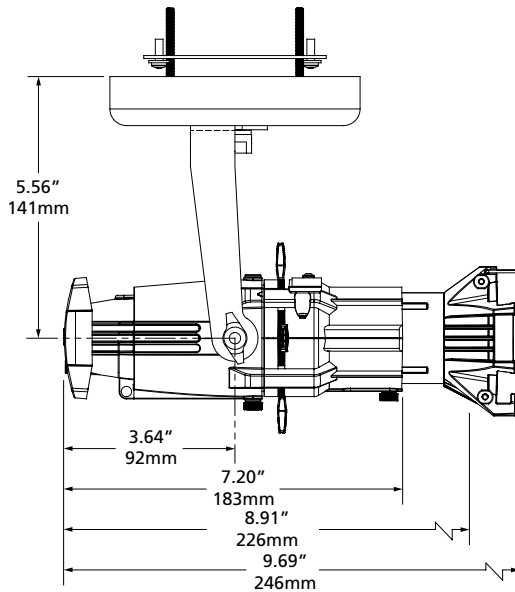
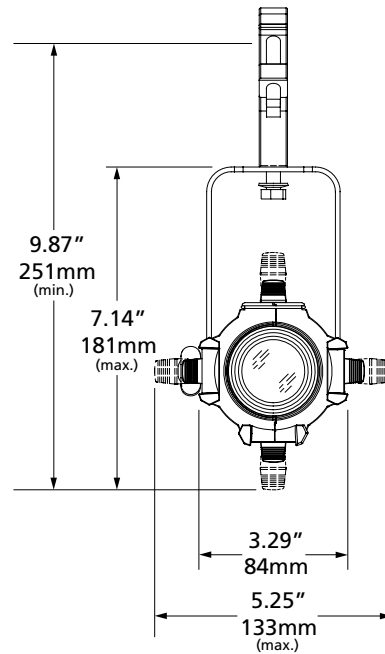
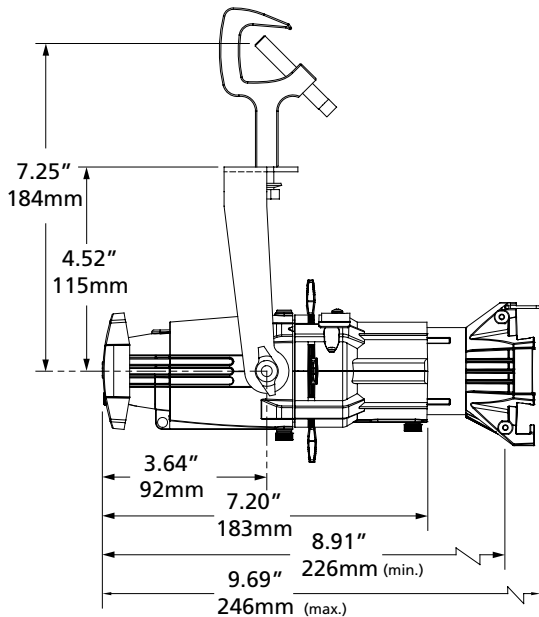
**4MHHS - HALF HAT SHORT**

PHYSICAL

Source Four Mini LV Weights and Dimensions

	WEIGHT		SHIPPING WEIGHT	
	lbs.	kgs	lbs	kgs
Source Four Mini LV	2.4	1.1	3.5	1.6

\*Shipping dimensions: 12.6" x 10.8" x 6"



Corporate Headquarters • 3031 Pleasant View Rd, PO Box 620979, Middleton WI 53562 0979 USA • Tel +1 608 831 4116 • Fax +1 608 836 1736

London, UK • Unit 26-28, Victoria Industrial Estate, Victoria Road, London W3 6UU, UK • Tel +44 (0)20 8896 1000 • Fax +44 (0)20 8896 2000

Rome, IT • Via Pieve Torina, 48, 00156 Rome, Italy • Tel +39 (06) 32 111 683 • Fax +44 (0)20 8752 8486

Holzkirchen, DE • Ohmstrasse 3, 83607 Holzkirchen, Germany • Tel +49 (80 24) 47 00-0 • Fax +49 (80 24) 47 00-3 00

Hong Kong • Room 1801, 18/F, Tower 1 Phase 1, Enterprise Square, 9 Sheung Yuet Road, Kowloon Bay, Kowloon, Hong Kong • Tel +852 2799 1220 • Fax +852 2799 9325

Web • www.etcconnect.com • Copyright©2016 ETC. All Rights Reserved. All product information and specifications subject to change. 7063L1005 Rev. E USA 09/16

U.S. and international patents pending.