

SENSOR

Sensor sound suppression hood (Sssh) upgrade

These instructions tell you how to install the Sensor sound suppression hood option (part # 7051A1071) in any 24-, 36- or 48-slot Sensor Installation Rack.

The hood reduces the sound produced by the Sensor ventilation fan by surrounding it with an enclosure lined with sound absorbing foam. A properly installed enclosure does not reduce ventilation fan efficiency.

Note: *Sensor racks with standard 10 inch clearance above the cooling fan have been tested with the hood in place. No significant increase in rack temperature was observed. However, installers should be sure objects on a wall or ceiling do not impede the free flow of cooling air from the hood exhaust openings.*

A typical upgrade can be performed without using tools. Cleaning supplies to remove dust and oil from the installation will probably be required.

Note: *Modifications to the Sssh hood needed to fit around installed power and control conduit require tin snips, pliers and protective gloves.*

Preparing to install the hood and acoustic pad



1. Shut off rack power at the main circuit breaker.

Warning! *Servicing a dimmer rack with power on may result in death or injury from electrical shock.*

2. Remove dust from the top of the rack and the wall behind it with a vacuum or damp rag.
3. Remove any oil or grease residue from the area with a mild detergent or degreaser solution and allow the surface to dry completely.
4. Without exposing the adhesive strips, position the hood and acoustic pad as shown below.

Mark any place where conduit, rack splices or other obstructions interfere with hood or pad positioning.

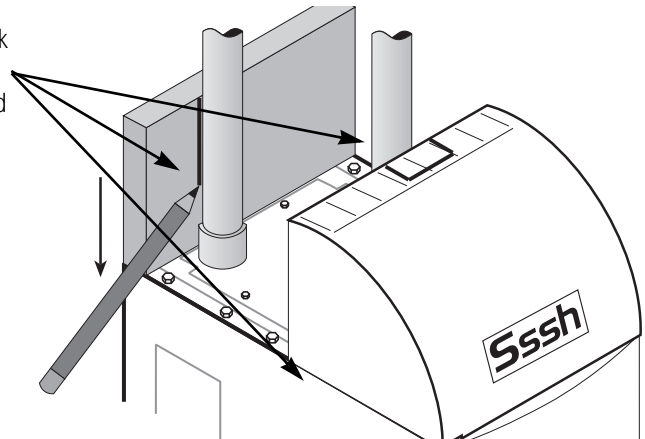
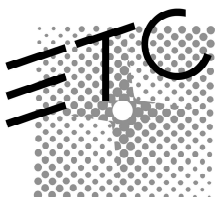


Figure 1: Positioning the hood and pad before installation

5. Mark any points on the hood or pad where conduit or rack splices interfere with positioning.



Electronic Theatre Controls

North America 3030 Laura Lane • Middleton, Wisconsin 53562, USA • Tel: (+1) 608 831 4116 • Fax: (+1) 608 836 1736

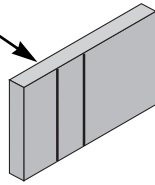
Europe 5 Victoria Industrial Estate, Victoria Road • London, W3 6UU, England • Tel: (+44) 181 896 1000 • Fax: (+44) 181 896 2000

Asia Room 605-606, Tower III, Enterprise Square, 9 Sheung Yuet Road • Kowloon Bay, Hong Kong • Tel: (+852) 2799 1220 • Fax: (+852) 2799 9325

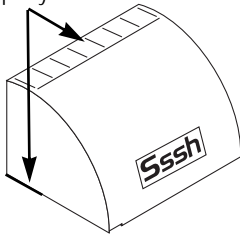
Web www.etconnect.com • **Email** mail@etconnect.com • Copyright 2000 • Specifications subject to change • 7051M1018A

Installing the hood and acoustic pad

Leave the adhesive covering on the marked out sections of the acoustic pad so it will slide into place behind the conduit



Remove any marked out sections so the hood will fit properly



Note: After exposing the adhesive, handle the hood or pad by the sides to avoid touching the adhesive.

1. Expose the adhesive strips on the back of the hood, except in the marked areas where conduit interferes with installation
2. Bend the ends of the pad forward so the exposed adhesive doesn't touch the wall and slide the pad into place behind the conduit. Press firmly.
3. Trim off any sections of the velcro strip on the bottom of the hood that would press against a rack splice (joined racks only).
4. Remove the covers to expose the adhesive strips on the bottom of the hood.
5. Position the front edge of the hood against the top bolts in the front of the dimmer cabinet and tilt the back down until it is in position. Press firmly.

Note: The front edge of the hood will be slightly ahead of front edge of the dimmer cabinet when positioned properly. This gives clearance for the front cabinet top securing bolts, allowing the hood to sit flat on the top of the dimmer rack.

6. Installation is complete. Allow the hood and pad to stay in place for 30 minutes to completely set the adhesive. After the adhesive has set, the hood can be removed when necessary by separating the Velcro strips securing it to the top of the dimmer cabinet.

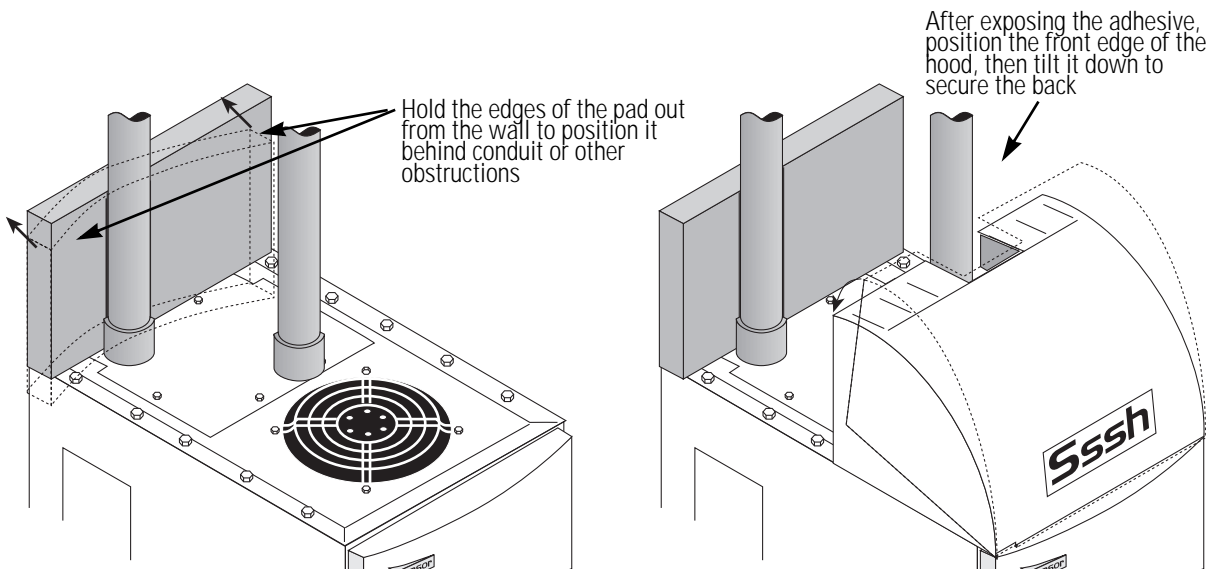


Figure 3: Installing the hood and pad

7. Restore power to the dimmer rack.