

SENSOR

Sensor sound suppression hood (Sssh) upgrade

These instructions tell you how to install the Sensor sound suppression hood option (part # 7051A1072) in any 6- or 12-slot Sensor Installation Rack .

The hood reduces the sound produced by the Sensor ventilation fan by surrounding it with an enclosure lined with sound absorbing foam. A properly installed enclosure does not reduce ventilation fan efficiency.

Note: *Sensor racks with standard 10 inch clearance above the cooling fan have been tested with the hood in place. No significant increase in rack temperature was observed. However, installers should be sure objects on a wall or ceiling do not impede the free flow of cooling air from the hood exhaust openings.*

A typical upgrade can be performed without using tools. Cleaning supplies to remove dust and oil from the installation will probably be required.

Preparing the hood installation surface



1. Shut off rack power at the main circuit breaker.

Warning! *Servicing a dimmer rack with power on may result in death or injury from electrical shock.*

2. Clean dust buildup from the top of the rack with a vacuum or a damp rag.
3. Remove any oil or grease residue from the top of the rack with a mild detergent or degreaser solution and allow the surface to dry completely.
4. Position the hood on top the dimmer cabinet as shown below. Make sure the hood can be positioned with the front flush to the edge of the dimmer cabinet while completely covering (not obstructing) the ventilation fan.

The hood cannot be repositioned after being installed, so check positioning with adhesive covered and rid of any obstructions before installing.

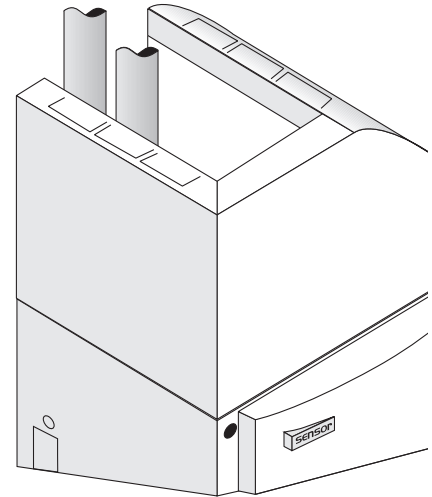
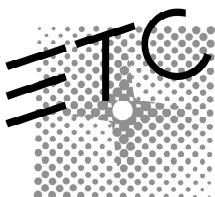


Figure 1: Positioning the hood for installation



Electronic Theatre Controls

North America 3030 Laura Lane • Middleton, Wisconsin 53562, USA • Tel: (+1) 608 831 4116 • Fax: (+1) 608 836 1736

Europe 5 Victoria Industrial Estate, Victoria Road • London, W3 6UU, England • Tel: (+44) 181 896 1000 • Fax: (+44) 181 896 2000

Asia Room 605-606, Tower III, Enterprise Square, 9 Sheung Yuet Road • Kowloon Bay, Hong Kong • Tel: (+852) 2799 1220 • Fax: (+852) 2799 9325

Web www.etconnect.com • **Email** mail@etconnect.com • Copyright 2000 • Specifications subject to change • 7051M1017A

Installing the hood

Remove the adhesive strip covers on the bottom of the hood before installing it permanently.

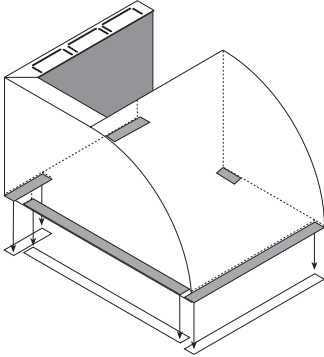


Figure 2: Exposing the adhesive

1. Remove the covers to expose the adhesive strips on the bottom of the hood.

Note: After exposing the adhesive, handle the hood by the sides to avoid touching the adhesive.

2. Position the front edge of the hood flush with the front of the dimmer cabinet and lower it into position.
3. Verify the hood is in position and press down firmly over the adhesive strips.
4. Installation is complete. Allow the hood to stay in place for 30 minutes to completely set the adhesive. After the adhesive has set, the hood can be removed when necessary by separating the Velcro strips securing it to the top of the dimmer cabinet.

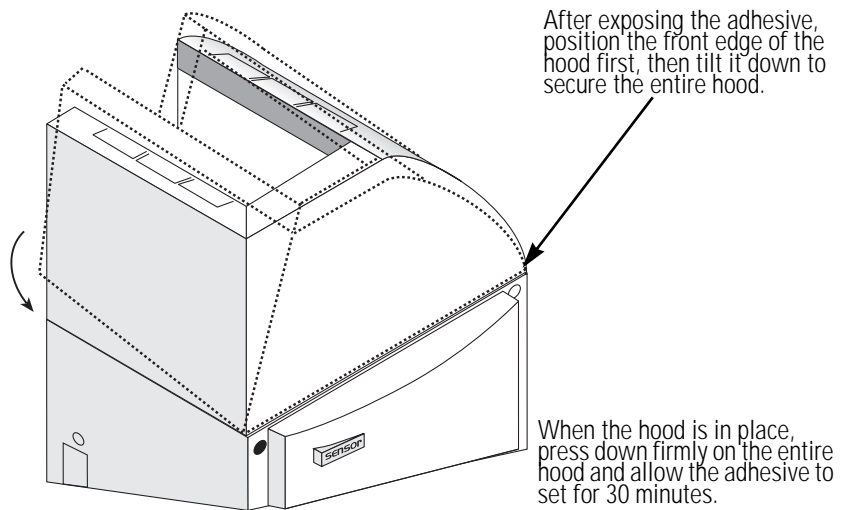


Figure 3: Installing the hood