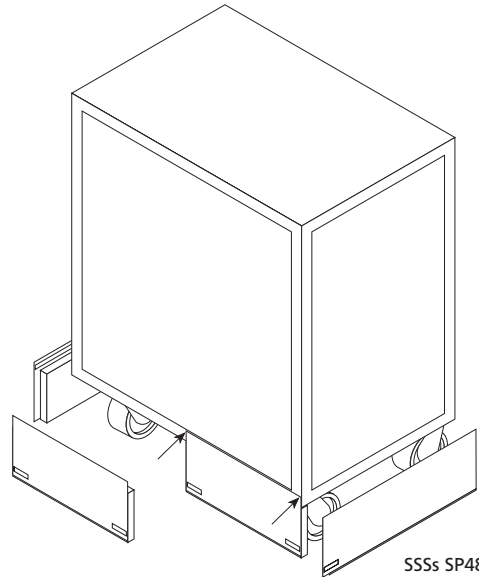


SSSh 6-12



SSSs SP48

GENERAL INFORMATION

Sensor Sound Suppression Hoods (SSSh) and Skirts (SSSs) reduce fan noise for acoustically sensitive installations.

APPLICATIONS

- Any Sensor rack installation
- Television/Video Studios
- Concert Halls
- Installations where the rack is located in close proximity to the stage

GENERAL

- Easy to install
- Does not interfere with rack cooling
- Hoods for Installation Racks
- Skirts for Touring Racks

Note: Be sure objects on a wall or ceiling do not impede the free flow of cooling air from the hood exhaust openings.

ORDERING INFORMATION

Sound Suppression Hoods

MODEL	DESCRIPTION
SSSh 6-12	Sound Suppression Hood for Sensor SR6 and SR12 Racks
SSSh 24-48	Sound Suppression Hood for Sensor SR24 and SR48 Racks

Sound Suppression Skirts

MODEL	DESCRIPTION
SSSs SP24	Sound Suppression Skirt for Sensor 24 Module Touring Rack
SSSs SP48	Sound Suppression Skirt for Sensor 48 Module Touring Rack



SPECIFICATIONS

Sensor Sound Suppression Hood (SSSh)

GENERAL

- Reduces the sound produced by the Sensor ventilation fan by surrounding it with an enclosure lined with sound absorbing foam

MECHANICAL

- Constructed of steel
- Finished in a light gray (5C) fine-textured baked powder coat
- Interior of hood is fitted with a 1.25 (32mm) Soundmat PB-embossed foam insulation
- Designed to be installed without the use of tools
- Velcro/adhesive strip mounting method

SPECIFICATIONS

Sensor Sound Suppression Skirt (SSSs)

GENERAL

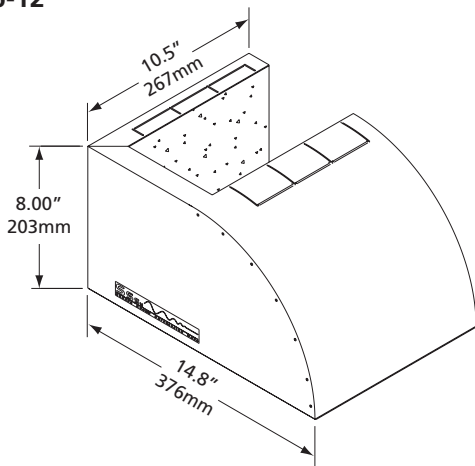
- Reduces fan noise by surrounding the fan with an enclosure lined with sound absorbing foam

MECHANICAL

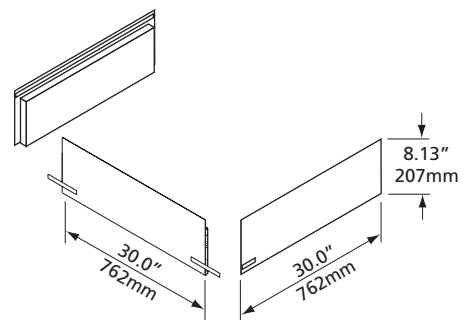
- Constructed of steel
- Finished in a black fine-textured baked powder coat
- Lined with a 1.25 (32mm) Soundmat PB-embossed foam insulation
- Designed to be installed without the use of tools
- Velcro/adhesive strip mounting method
- Skirt may be stored in the patch panel area of the rack.

PHYSICAL

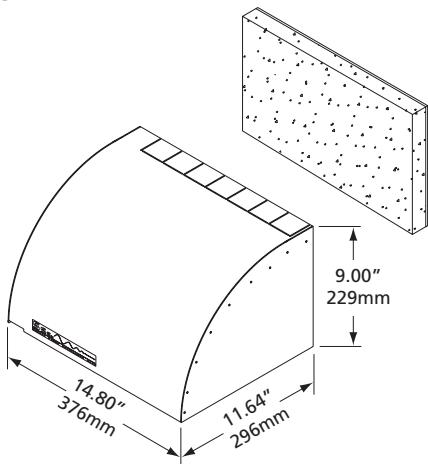
SSSh 6-12



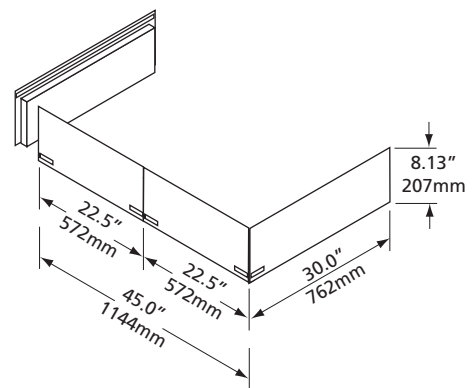
SSSs SP24



SSSh 24-48



SSSs SP48



Corporate Headquarters • 3031 Pleasant View Rd, PO Box 620979, Middleton WI 53562 0979 USA • Tel +1 608 831 4116 • Fax +1 608 836 1736
 London, UK • Unit 26-28, Victoria Industrial Estate, Victoria Road, London W3 6UU, UK • Tel +44 (0)20 8896 1000 • Fax +44 (0)20 8896 2000
 Rome, IT • Via Ennio Quirino Visconti, 11, 00193 Rome, Italy • Tel +39 (06) 32 111 683 • Fax +39 (06) 32 656 990
 Holzkirchen, DE • Ohmstrasse 3, 83607 Holzkirchen, Germany • Tel +49 (80 24) 47 00-0 • Fax +49 (80 24) 47 00-3 00
 Hong Kong • Room 1801, 18/F, Tower 1 Phase 1, Enterprise Square, 9 Sheung Yuet Road, Kowloon Bay, Kowloon, Hong Kong • Tel +852 2799 1220 • Fax +852 2799 9325
 Web • www.etcconnect.com • Copyright©2008 ETC. All Rights Reserved. All product information and specifications subject to change. 7051L1017 Rev. C Printed in USA 02/08
 Sensor® products protected by one or more of the following U.S. Patent Numbers 5,323,088, 5,352,088, 7,233,112, 7,019,469, 6,849,943, and 6,002,563; European Number 0603333T2; German 69203609.