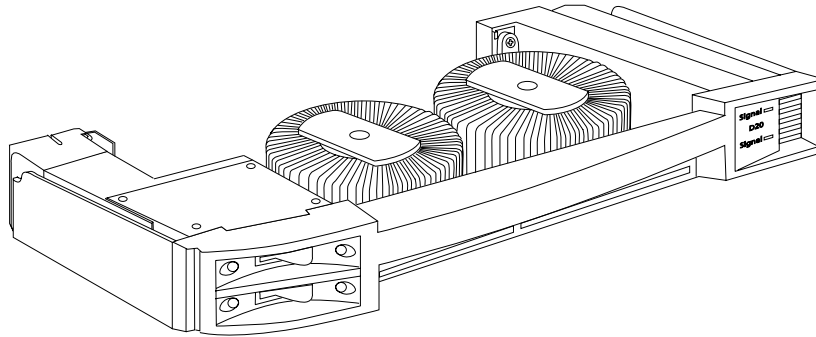


100V 120V

Standard Series



GENERAL INFORMATION

The Standard Dimmer Module is designed for use in both Sensor®+ and Unison® Dimming Series modular rack enclosures. Standard Dimmer Modules provide cost-effective digital forward phase angle dimming for standard loads such as incandescent, low voltage, quartz, neon, cold-cathode and 2 and 4-wire fluorescent ballasts. The patented, high-density, dual modules feature modular installation and removal, fully magnetic circuit breakers and standard or enhanced risetime toroidal filters.

APPLICATIONS

- Incandescent lighting
- Low voltage lighting
- Quartz lighting
- Neon lighting
- Cold Cathode lighting
- 2-wire Fluorescent ballast
- 4-wire Fluorescent ballast

FEATURES

- Two 1.8 or 2.4kW dimmers per module
- Standard or Enhanced risetime toroidal filters
- High-density modular assembly
- Die-cast aluminum chassis
- Fully magnetic circuit breakers

GENERAL

- 100,000A Short Circuit Current Rating (SCCR)
- UL and cUL LISTED

ORDERING INFORMATION

100-120V Standard Dimmer Modules

MODEL	DESCRIPTION
D15	Dual 15A Dimmer Module, 350µS
D15E	Dual 15A Dimmer Module, 500µS
D20	Dual 20A Dimmer Module, 350µS
D20E	Dual 20A Dimmer Module, 500µS
AFM	Air Flow Module

Compatible Systems

MODEL	DESCRIPTION
INSTALLATION RACKS*	
SR3	Sensor3 Installation racks
SR+	Sensor+ Installation racks
SR	Sensor Installation racks
TOURING RACKS	
SP3	Sensor+ 24 module Touring Rack (48-20A dimmers)
SP+	Sensor+ 48 module Touring Rack (96-20A dimmers)
PORTABLE PACKS	
SP3	Sensor3 Portable Packs
SP+	Sensor+ Portable Packs

*Rack enclosures also available for 230CE and 240 Volt applications



SPECIFICATIONS

GENERAL

- UL and cUL Listed for continuous duty at 100% of rated load
 - D15/D15E – 1.8kW
 - D20/D20E – 2.4kW

PHYSICAL

- Modular plug-in assemblies
- Cast aluminum chassis, finished with textured epoxy paint
- Keyed to prevent insertion in inappropriately rated rack positions

CIRCUIT BREAKERS

- Fully magnetic to eliminate nuisance tripping
- 20x inrush current rating
- 125%, 10-120 seconds, must-trip rating
- Rated for 100% switching duty applications

RATINGS

- 100,000A Short Circuit Current Rating (SCCR)
- Modules withstand hot-patching of cold loads up to full rating
- UL and cUL LISTED

POWER DEVICE

- Sealed, patented assembly
- Field replaceable with screwdriver
- Two back-to-back SCRs per circuit
- One control LED per circuit
- Integral bonded heatsink
- Integral temperature sensor

FILTERING

- High quality toroidal filters
 - 350µs risetime - Standard 100-120V modules*
 - 500µs risetime - Enhanced 100-120V modules*
- *Risetime measured at full load, at worst case firing angle (90 degrees), from 10-90% of output wave form

DIMMER RANGE

- Incandescent, low voltage dimming range 100-0%
- Dimming range of 2 and 4-wire fluorescent ballast is dependent on lamp ballast combination. Contact ETC for range verification
- Sizing of Neon transformer used in dimming applications should be 1.5x greater than size used in non-dimming application

PHYSICAL

Module Dimensions

MODEL	HEIGHT		WIDTH		DEPTH	
	inches	mm	inches	mm	inches	mm
D15	1.5	38.	11.8	300	4.9	127
D15E	1.5	38	11.8	300	4.9	127
D20	1.5	38	11.8	300	4.9	127
D20E	1.5	38	11.8	300	4.9	127

Module Weights

MODEL	WEIGHT		SHIPPING WEIGHT	
	lbs	kgs	lbs	kgs
D15/D20	5.0	2.3	6.9	3.1
D15E/D20E	5.5	2.5	6.9	3.1

Maximum BTU Production per module

MODEL	BTUS	WATTS	EFFICIENCY
D15	380	112	96.9%
D15E	474	140	96.1%
D20	522	154	96.8%
D20E	810	238	95.0%

These values should be provided to a qualified HVAC design engineer, along with dimmer quantities, types and dimmer room dimensions, to calculate dimmer room air handling requirements.

Dimmer room HVAC systems must at all times maintain the specified ambient temperature **at the dimmer rack**. Dimming systems operating within 10°F of the upper or lower temperature limits must strictly follow installation and operation guidelines to operate reliably.

SCR Rating

MODULE	D15/D20
Single cycle peak surge current	625A
Half cycle peak surge current	1620A
Transient over voltage	600V



Corporate Headquarters • 3031 Pleasant View Rd, PO Box 620979, Middleton WI 53562 0979 USA • Tel +1 608 831 4116 • Fax +1 608 836 1736

London, UK • Unit 26-28, Victoria Industrial Estate, Victoria Road, London W3 6UU, UK • Tel +44 (0)20 8896 1000 • Fax +44 (0)20 8896 2000

Rome, IT • Via Pieve Torina, 48, 00156 Rome, Italy • Tel +39 (06) 32 111 683 • Fax +44 (0) 20 8752 8486

Holzkirchen, DE • Ohmstrasse 3, 83607 Holzkirchen, Germany • Tel +49 (80 24) 47 00-0 • Fax +49 (80 24) 47 00-3 00

Hong Kong • Room 1801, 18/F, Tower 1 Phase 1, Enterprise Square, 9 Sheung Yuet Road, Kowloon Bay, Kowloon, Hong Kong • Tel +852 2799 1220 • Fax +852 2799 9325

Web • www.etcconnect.com • Copyright©2012 ETC. All Rights Reserved. All product information and specifications subject to change. 7050L1028 Rev. F USA 08/12

Sensor® products protected by one or more of the following U.S. Patent Numbers 5,323,088, 5,352,088, 7,233,112, 7,019,469, 6,849,943, and 6,002,563; European Number 0603333; German 69203609.