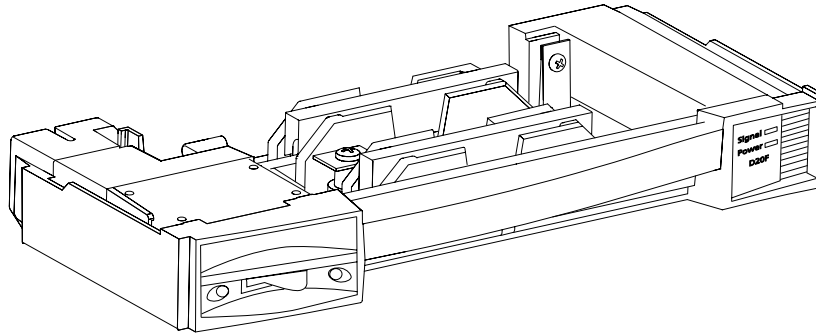




100V 120V



GENERAL INFORMATION

The Fluorescent Module is a single, plug-in dimmer for use in both Sensor®+ and Unison® Dimming Series modular dimmer rack enclosures. The Fluorescent Module provides cost-effective digital forward phase angle dimming of 3-wire fluorescent dimming ballasts. The patented design features high-density modular assembly, a fully magnetic circuit breaker and electronic low-end set controls.

APPLICATIONS

- Linear fluorescent lighting with 3-wire dimming ballast*
- Compact fluorescent lighting with 3-wire dimming ballast*

FEATURES

- High-density modular assembly
- Die-cast aluminum chassis
- Fully magnetic circuit breaker
- Electronic low-end set controls

GENERAL

- 100,000A Short Circuit Current Rating (SCCR)
- UL and cUL LISTED

*Dimming range of fluorescent fixtures is dependent on the lamp-ballast combination. (Contact ETC for range of specific combinations)

ORDERING INFORMATION

100-120 Volt Fluorescent Modules

MODEL	DESCRIPTION
D15F	Single 15A Fluorescent module
D20F	Single 20A Fluorescent module

Compatible Systems

MODEL	DESCRIPTION
INSTALLATION RACKS	
SR3	Sensor3 Installation racks
SR+	Sensor+ Installation racks
SR	Sensor Installation racks
TOURING RACKS	
SP3	Sensor+ 24 module Touring Rack (48-20A dimmers)
SP+	Sensor+ 48 module Touring Rack (96-20A dimmers)
PORTABLE PACKS	
SP3	Sensor3 Portable Packs
SP+	Sensor+ Portable Packs



SPECIFICATIONS

GENERAL

- Single dimmable fluorescent circuit
- UL and cUL Listed for continuous duty at 100% of rated load
 - D15F – 1.8kW
 - D20F – 2.4kW

PHYSICAL

- Modular plug-in assemblies
- Cast aluminum chassis, finished with fine textured epoxy paint
- Keyed to prevent insertion in inappropriately rated rack positions

CIRCUIT BREAKERS

- Fully magnetic to eliminate nuisance tripping
- 20x inrush current rating
- 125%, 10-120 seconds, must-trip rating
- Rated for 100% switching duty applications

RATINGS

- 100,000A Short Circuit Current Rating (SCCR)
- Replaceable fuse on both the switched and the dimmed AC circuit for short circuit protection and fault current coordination
- Modules withstand “hot-patching” of cold fluorescent loads up to full rating
- UL and cUL LISTED

POWER DEVICE

- Sealed, patented assembly
- Field replaceable with screwdriver
- One control and one output LED
- Integral bonded heatsink
- Integral temperature sensor

DIMMING RANGE

- Dimming range dependent on lamp-ballast combination. (Contact ETC for range verification)

PHYSICAL

Module Dimensions

MODEL	HEIGHT		WIDTH		DEPTH	
	inches	mm	inches	mm	inches	mm
D15F	1.5	38	11.8	300	4.9	127
D20F	1.5	38	11.8	300	4.9	127

Module Weights

MODEL	WEIGHT		SHIPPING WEIGHT	
	lbs	kgs	lbs	kgs
D15F/D20F	2.4	1.1	3.3	1.5

Maximum BTU Production per module

MODEL	BTUS	WATTS	EFFICIENCY
D15F/D20F	<10	<4	>99.0%

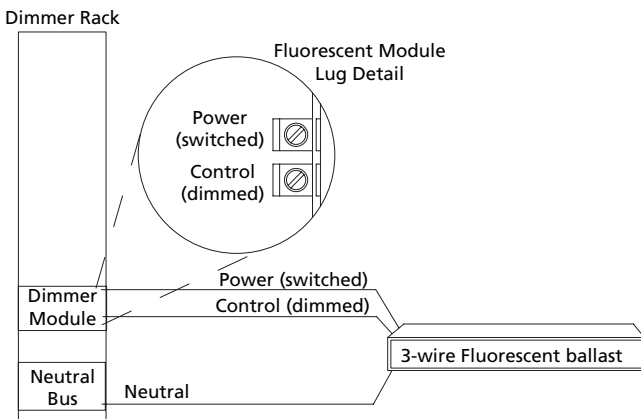
These values should be provided to a qualified HVAC design engineer, along with dimmer quantities, types and dimmer room dimensions, to calculate dimmer room air handling requirements.

Dimmer room HVAC systems must at all times maintain the specified ambient temperature **at the dimmer rack**. Dimming systems operating within 10°F of the upper or lower temperature limits must strictly follow installation and operation guidelines to operate reliably.

SCR Rating

MODULE	D15F/D20F
Single cycle peak surge current	625A
Half cycle peak surge current	1620A
Transient over voltage	600V

INSTALLATION WIRING DETAIL



Corporate Headquarters • 3031 Pleasant View Rd, PO Box 620979, Middleton WI 53562 0979 USA • Tel +1 608 831 4116 • Fax +1 608 836 1736
London, UK • Unit 26-28, Victoria Industrial Estate, Victoria Road, London W3 6UU, UK • Tel +44 (0)20 8896 1000 • Fax +44 (0)20 8896 2000
Rome, IT • Via Pieve Torina, 48, 00156 Rome, Italy • Tel +39 (06) 32 111 683 • Fax +44 (0) 20 8752 8486
Holzkirchen, DE • Ohmstrasse 3, 83607 Holzkirchen, Germany • Tel +49 (80 24) 47 00-0 • Fax +49 (80 24) 47 00-3 00
Hong Kong • Room 1801, 18/F, Tower 1 Phase 1, Enterprise Square, 9 Sheung Yuet Road, Kowloon Bay, Kowloon, Hong Kong • Tel +852 2799 1220 • Fax +852 2799 9325
Web • www.etcconnect.com • Copyright©2012 ETC. All Rights Reserved. All product information and specifications subject to change. 7050L1020 Rev. F USA 08/12
 Sensor® products protected by one or more of the following U.S. Patent Numbers 5,323,088, 5,352,088, 7,233,112, 7,019,469, 6,849,943, and 6,002,563; European Number 0603333; German 69203609.