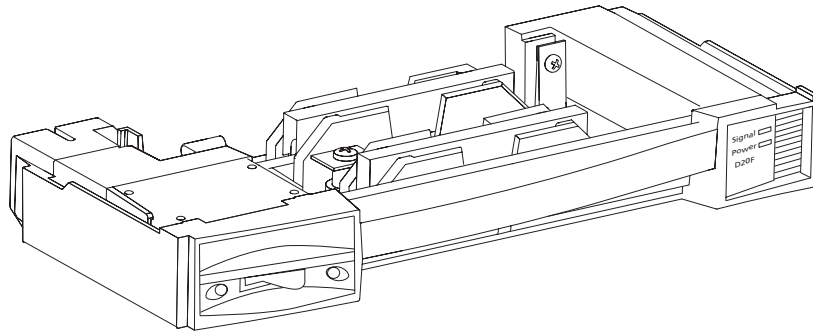




100V 120V

Special Purpose Series



GENERAL INFORMATION

The Fluorescent Module is a single, plug-in dimmer for use in Unison Dimming Series Enclosures. The Fluorescent Module provides cost-effective digital forward phase angle dimming of 3-wire fluorescent dimming ballasts. The patented design features high-density modular assembly, a fully magnetic circuit breaker and electronic low-end set controls.

APPLICATIONS

- Designed for use in 100-120V Unison DRd rack enclosures
- Linear fluorescent lighting with 3-wire dimming ballast*
- Compact fluorescent lighting with 3-wire dimming ballast*

FEATURES

- Single 1.8kW or 2.4kW circuit per module
- High-density modular assembly
- Die-cast aluminum chassis
- Fully magnetic circuit breaker
- Electronic low-end set controls

GENERAL

- 100,000A Short Circuit Current Rating (SCCR)
- UL and cUL LISTED

*Dimming range of fluorescent fixtures is dependent on the lamp-ballast combination. (Contact ETC for range of specific combinations)

ORDERING INFORMATION

100-120 Volt Fluorescent Modules

MODEL	DESCRIPTION
D15F	Single 15A Fluorescent Module
D20F	Single 20A Fluorescent Module

Compatible Systems*

MODEL	DESCRIPTION
DRd6-12-120	100-120V 6 module rack enclosure (12 circuits)
DRd12-24-120	100-120V 12 module rack enclosure (24 circuits)

*Rack enclosures also available for 230CE, 240 and 277 Volt applications



SPECIFICATIONS

GENERAL

- Single density, plug in assembly, for use in Unison Dimming Series rack enclosures
- UL and cUL Listed for continuous duty at 100% of rated load
 - D15F – 1.8kW
 - D20F – 2.4kW

PHYSICAL

- Cast aluminum chassis, finished with fine textured epoxy paint

CIRCUIT BREAKERS

- Fully magnetic to eliminate nuisance tripping
- 20x inrush current rating
- 125%, 10-120 seconds, must-trip rating
- Rated for 100% switching duty applications

ELECTRICAL RATINGS

- 100,000A Short Circuit Current Rating (SCCR)
- Replaceable fuse on both the switched and the dimmed AC circuit for short circuit protection and fault current coordination
- Modules withstand “hot-patching” of cold fluorescent loads up to full rating
- UL and cUL LISTED

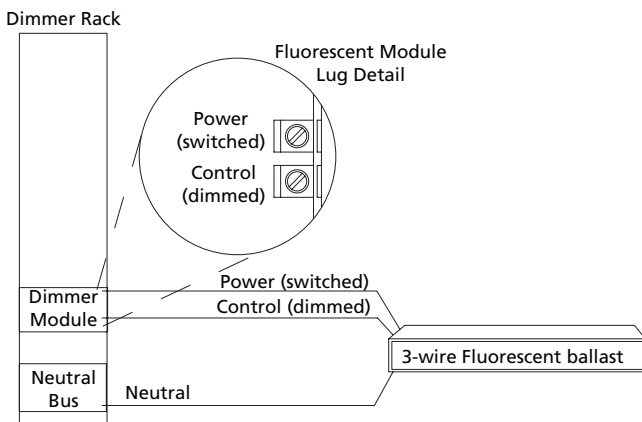
POWER DEVICE

- Sealed, patented assembly
- Field replaceable with screwdriver
- One control and one output LED
- 4000V isolation between control and power components
- Integral bonded heatsink
- Integral temperature sensor

DIMMING RANGE

- Dimming range dependent on lamp-ballast combination. (Contact ETC for range verification)

INSTALLATION WIRING DETAIL



PHYSICAL

Module Dimensions

MODEL	HEIGHT		WIDTH		DEPTH	
	inches	mm	inches	mm	inches	mm
D15F	1.5	38	11.8	300	4.9	124
D20F	1.5	38	11.8	300	4.9	124

Module Weights

MODEL	WEIGHT		SHIPPING WEIGHT	
	lbs	kgs	lbs	kgs
D15F/D20F	2.4	1.1	3.3	1.5

Maximum BTU Production per module

MODEL	BTUS	WATTS	EFFICIENCY
D15F/D20F	<10	<4	>99.0%

These values should be provided to a qualified HVAC design engineer, along with dimmer quantities, types and dimmer room dimensions, to calculate dimmer room air handling requirements.

Dimmer room HVAC systems must at all times maintain the specified ambient temperature **at the dimmer rack**. Dimming systems operating within 10°F of the upper or lower temperature limits must strictly follow installation and operation guidelines to operate reliably.

SCR Rating

MODULE	D15F/D20F
Single cycle peak surge current	625A
Half cycle peak surge current	1620A
Transient over voltage	600V



Corporate Headquarters • 3031 Pleasant View Rd, PO Box 620979, Middleton WI 53562 0979 USA • Tel +1 608 831 4116 • Fax +1 608 836 1736
 London, UK • Unit 26-28, Victoria Industrial Estate, Victoria Road, London W3 6UU, UK • Tel +44 (0)20 8896 1000 • Fax +44 (0)20 8896 2000
 Rome, IT • Via Ennio Quirino Visconti, 11, 00193 Rome, Italy • Tel +39 (06) 32 111 683 • Fax +44 (0) 20 8752 8486
 Holzkirchen, DE • Ohmstrasse 3, 83607 Holzkirchen, Germany • Tel +49 (80 24) 47 00-0 • Fax +49 (80 24) 47 00-3 00
 Hong Kong • Room 1801, 18/F, Tower 1 Phase 1, Enterprise Square, 9 Sheung Yuet Road, Kowloon Bay, Kowloon, Hong Kong • Tel +852 2799 1220 • Fax +852 2799 9325
 Web • www.etcconnect.com • Copyright©2008 ETC. All Rights Reserved. All product information and specifications subject to change. 7083L1009 Rev. A Printed in USA 09/08
 Unison® products protected by one or more of the following: U.S. Patent No. 5,323,088, 6,849,943, and 5,352,958; European Patent No. 0603333; German Patent No. 69203609;