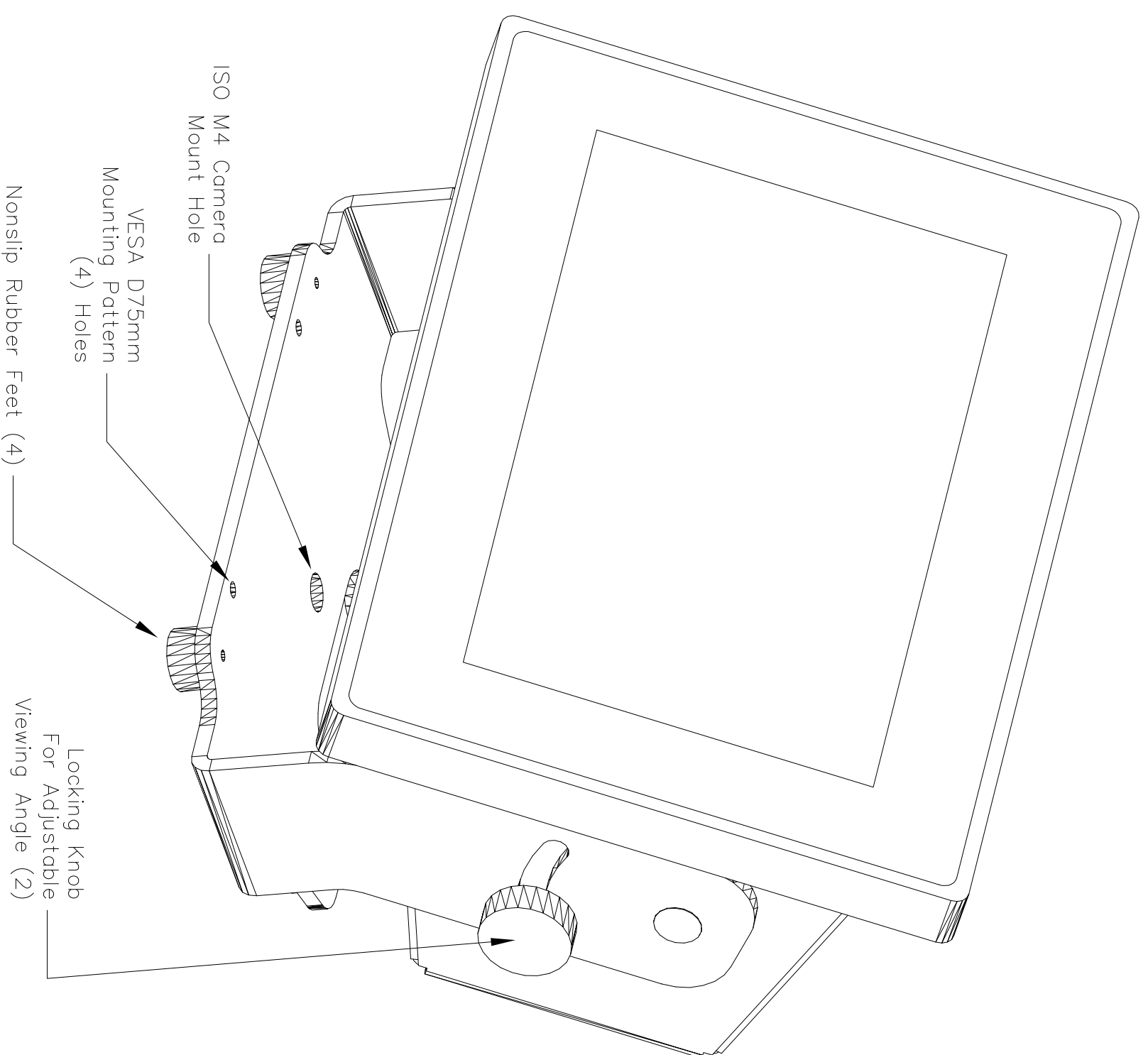
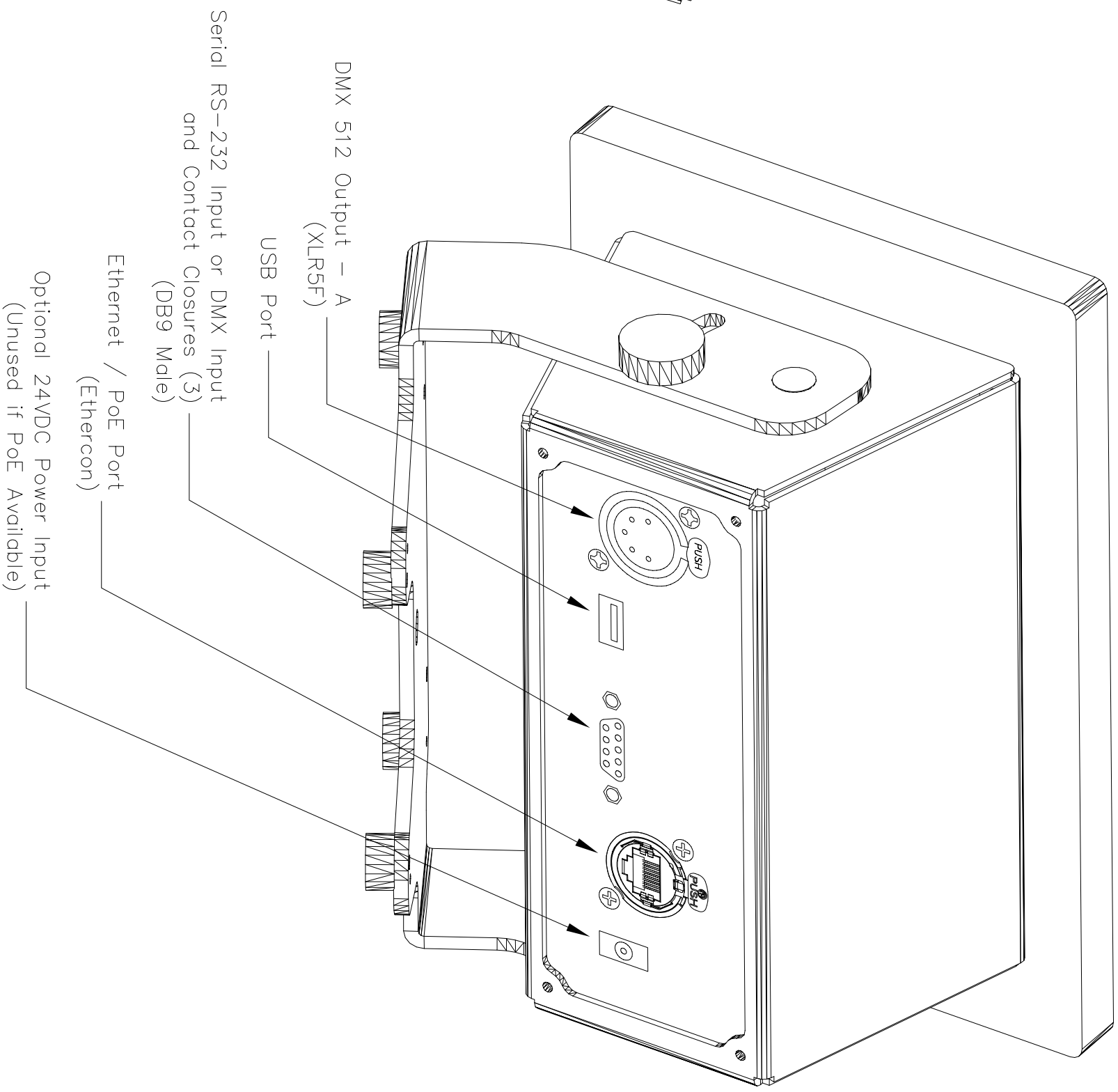


Dimensions:
7.9"W x 5"D x 6.5"H



Rear Panel



Choreo Console

FILENAME: 700-7904-Choreo-Console.DWG

PART NUMBER: 700-7904



Pathway Connectivity
103 Inglewood Plaza, 1439 17th Avenue SE
Calgary, Alberta, Canada T2G 1J9
Phone: +1(403)243-8110 Fax: +1(403)287-1281
<http://www.pathwayconnect.com>

DRAWN BY:	BRIAN F. EVANS
DATE:	9/1/2016
CHECKED:	ROBERT BELL
SCALE:	NTS
UNITS:	INCHES [mm]

REV
A