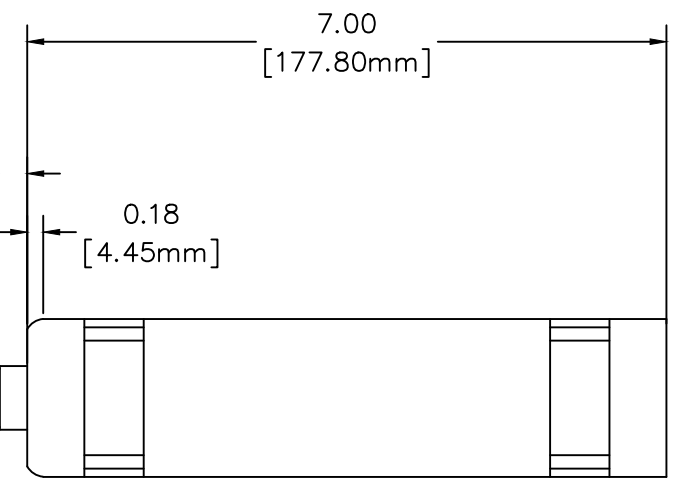
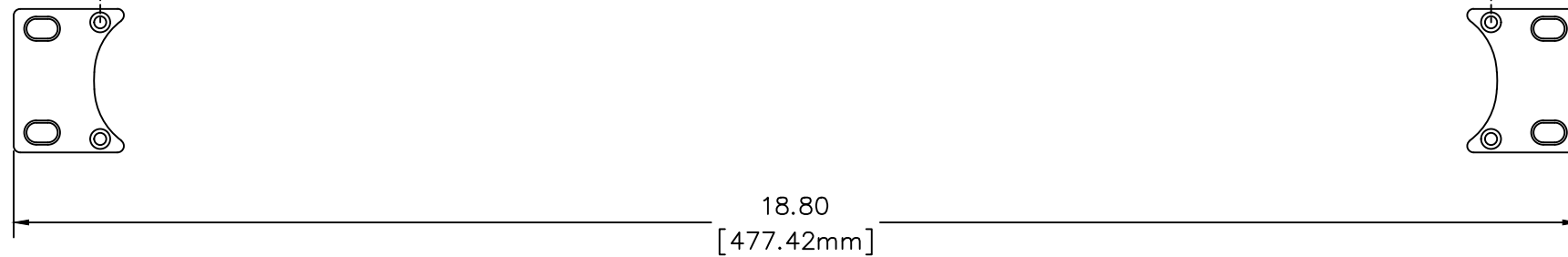


FRONT

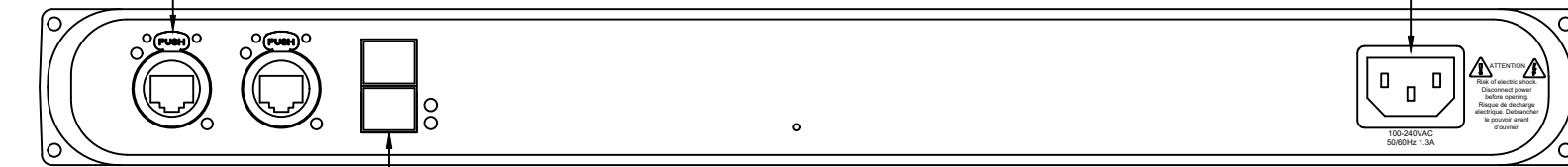


SIDE



Female RJ45 Connector
Push tab to release cable

IEC Power Connector for
100 - 240 VAC Input



2x Mini-GBIC ports on rear panel
for SFP modules (fiber only)

REAR

VIA12 6750/6750-P
Gigabit Ethernet Switch

FILENAME: 6750-VIA12-Gigabit-Switch.dwg

PART NUMBER: 6750/6750-P



Pathway Connectivity

103 Inglewood Plaza, 1439 17th Avenue SE
Calgary, Alberta, Canada T2G 1J9
Phone: +1(403)243-8110 Fax: +1(403)287-1281
<http://www.pathwayconnect.com>

DRAWN BY: TYLER FREDERICK
DATE: 2019-12-05
CHECKED:
SCALE: NTS
UNITS: INCHES [mm]

REV

A