

Job Name:	Catalog #:
Date:	Notes:

## VIA8 Gigabit Ethernet Switch, 8 Port, eDIN

# #6708



## PRODUCT OVERVIEW

The VIA8 is a Gigabit Ethernet switch with eight copper ports and two gigabit mini-GBIC ports for SFP/SFP+ modules. Designed to mount to 35mm DIN rail, this compact switch is engineered specifically for sACN data distribution using Pathport Gateways, Choreo controllers, Cognito consoles and NSB or Vignette architectural wall stations.

Management features, such as VLANs, DHCP and IGMP multicast filtering, are configured with Pathscape software, freely available for download. Two SFP/SFP+ receptacles allow you to connect to larger networks with advanced features such as RSTP and EAPS for complete redundant backup.

## FEATURES

- 35mm DIN-rail mountable
- Features including IGMP querier and snooping, DHCP per VLAN, Dante-compliant QoS option, Art-Net to sACN conversion
- Silent operation - fanless, convection cooled design
- Acts as PoE (Power-over-Ethernet) source to connected devices, up to 15W per port
- Settable properties include Switch Name, Port Name, IP Address, Subnet Mask, Default Gateway, VLAN configuration, Link speed, PoE allocation, DHCP pool, IGMP filtering
- Reported properties include PoE usage, Serial Number, MAC address, firmware version, connected devices (LLDP compliant), link status, bandwidth usage
- Eight RJ45 ports support 10/100/1000Base-T speeds
- Two mini-GBIC ports for SFP or SFP+ fiber modules (1000Base-LX, 1000Base-SX, 10GBase-SR or 10GBase-SW)

## SPECIFICATIONS

- 20-50 VDC power input, 10 watts maximum (Switch only)
- 48-50 VDC power input, 130 watts maximum (including 120 watts for 8 PoE devices)
- Class 3 PoE on ports 1-8 (maximum 15.4 watts per port)
- Operating Conditions: 14°F-118°F (-10°C to +48°C); 5-95% relative humidity, non-condensing

### STANDARDS COMPLIANCE

- IEEE 802.1AB Link Layer Discovery Protocol
- IEEE 802.3af - Class 3 Power-over-Ethernet (with external supply)
- California Title 1.81.26, Security of Connected Devices

### WEIGHTS AND DIMENSIONS

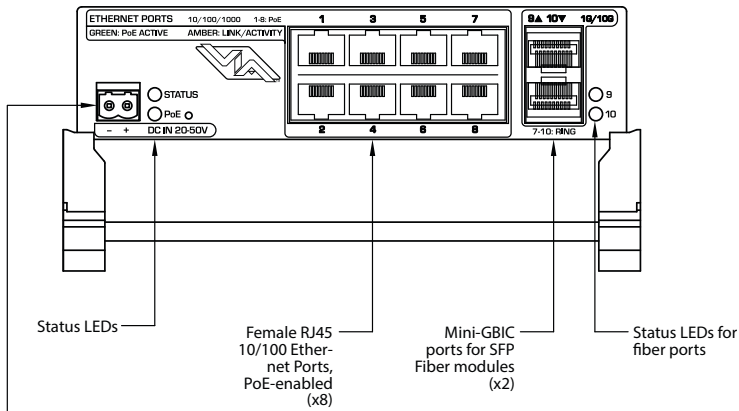
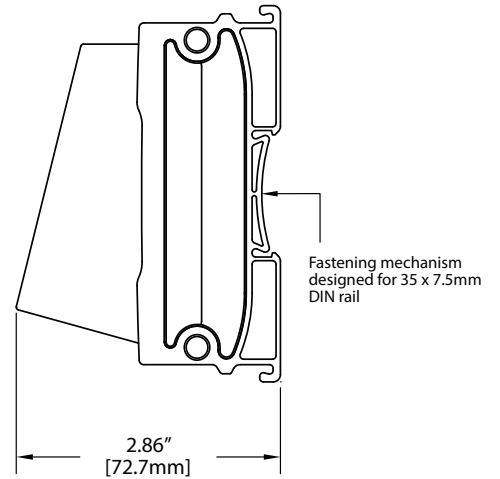
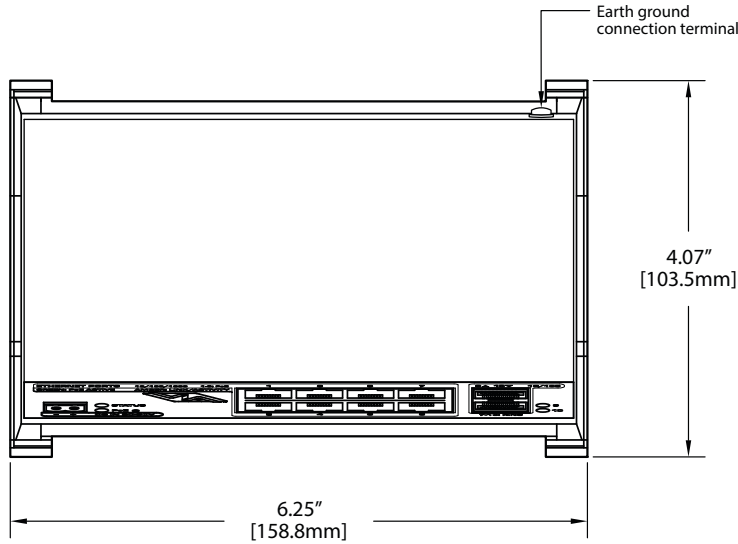
- 1.05 lbs (0.47 kg)
- 6.25"W x 2.9"D x 4"H (159mm x 74mm x 102mm)

### INCLUDED FURNISHINGS

- DIN tray (housing) with end caps
- 11" (280mm) piece of 35mm DIN rail
- Operations manual

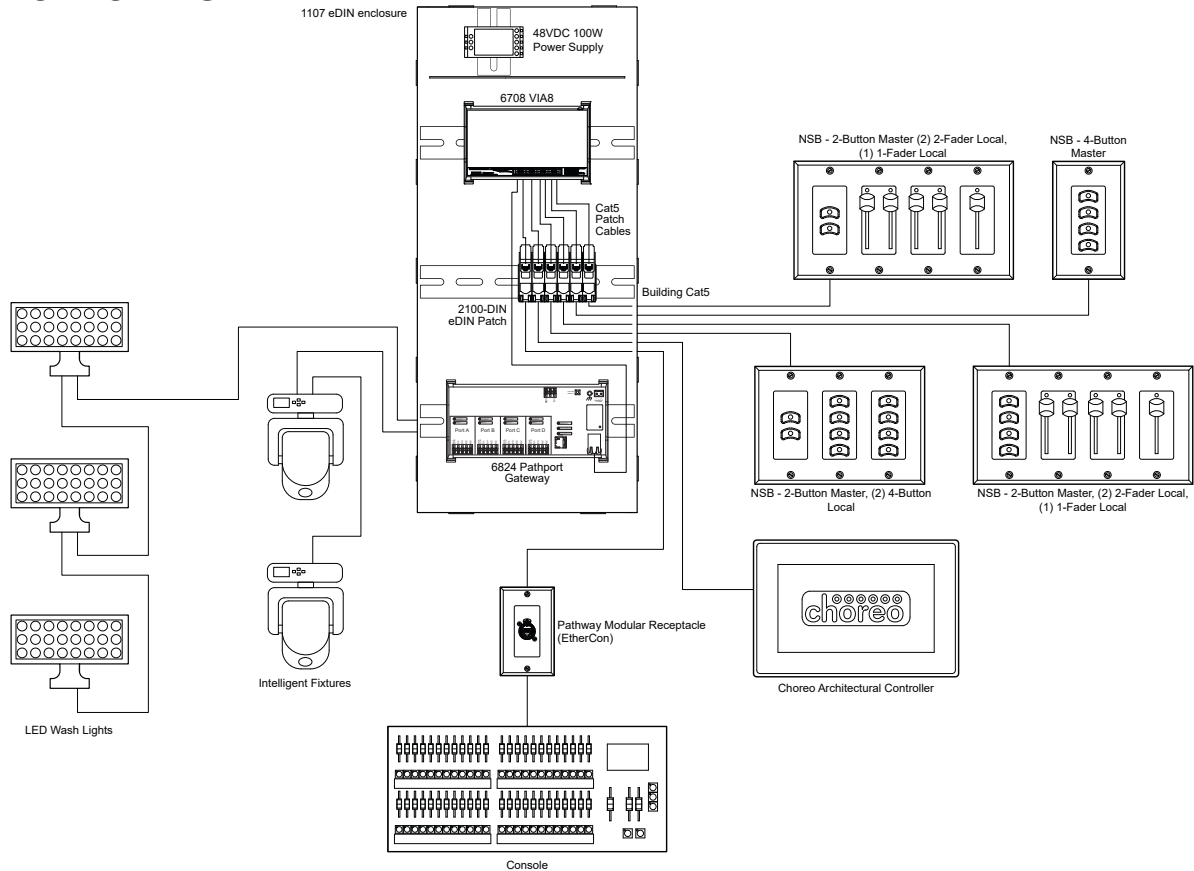
**6708**

**DIMENSIONS AND CONNECTIONS**



**POWER IN:**  
48VDC 100-240W for PoE operation; power consumption depends on attached devices' power requirements; eDIN 1001-100-48-DIN or equivalent  
20-50VDC 10W for Switch only, no PoE  
Connect earth ground to protect from RF interference.

## APPLICATION RISER



## ORDERING INFORMATION

PART #	DESCRIPTION
6708	VIA8 Gigabit Ethernet Switch, 8 Port, eDIN
<b>ACCESSORIES</b>	
2100-DIN	eDIN RJ45 patch (lot of 4) (3.5" of rail for 4)
1001-100-48-DIN	100 Watt, 48VDC Power Supply, DIN-Mountable
6798	SFP+ 850nm 10GB Ethernet Optical Transceiver (VIA8, VIA12)
6799	SFP 850nm 1GB Ethernet Optical Transceiver (VIA8, VIA12, VIA16)
1103	eDIN Rack Mount Panel, 2RU high, two 16.5" DIN Rail
1105	eDIN System Enclosure, 10" x 13" x 4.5" c/w One 9" Vertical DIN Rail
1106	eDIN System Enclosure, 10" x 23" x 4.5" c/w One 19" Vertical DIN Rail
1107	eDIN System Enclosure, 10" x 23" x 4.5" c/w Three 9" Horizontal DIN Rail
1108	eDIN System Enclosure, 10" x 13" x 4.5" c/w Two 9" Horizontal DIN Rail
1109	Expanded eDIN System Enclosure, 18.5" x 31.5" x 6.5" c/w Three 24" Vertical DIN Rail, One 18" DIN Rail in Class 1 section, two 3-gang knockouts in removable door