

Job Name:	Catalog #:
Date:	Notes:

#6421/6422/6423/6426/6427

PATHPORT OCTO



PRODUCT OVERVIEW

The Pathport OCTO provides all the features and flexibility that Pathports are renowned for, at our lowest cost-per-port ever.

Status LEDs provide instant confirmation of port direction and the LCD display and encoder knob allow for front panel configuration and reporting of the most commonly used features, such as IP address and subnet mask, port direction and protocol selection. Different Ethernet protocols may even be merged together and prioritized.

Advanced features include: crossfade between DMX sources, DMX output speed and signal loss behavior. Multiple connector options are available, such as XLR, terminal block, and RJ45 etherCON.

FEATURES

- Eight DMX512 ports, individually configurable
- 10/100 Mbps Ethernet port
- Front panel UI supports configuration of IP settings, port direction, basic patching and more
- Route DMX on either a universe or channel-by-channel basis
- Map up to eight sources to each output channel, with merge and/or priority options user-set for each source
- Supports the following Ethernet protocols:
 - E1.31 streaming ACN (sACN)
 - Art-Net
 - Pathport Protocol
 - Shownet
- Acts as E1.20 RDM proxy controller, when used with freely downloadable Pathscape software
- DMX output speed and signal loss behavior user-selectable
- Silent, fanless operation
- Rackmount ears included
- Wide-range power input
- Contact closure input (features added in future firmware updates)

SPECIFICATIONS

- 90-260VAC, 50/60Hz Wide-ranging power input
- 250V protection on all ports
- 1000V isolation between ports
- Operating Conditions: 14°F-122°F (-10°C to 50°C); 10-90% relative humidity, non-condensing

STANDARDS COMPLIANCE

- USITT DMX512 - 1990 / ANSI E1.11 DMX512-A R2013
- E1.20 RDM - Remote Device Management
- ETL
- RoHS 2002/95/EC

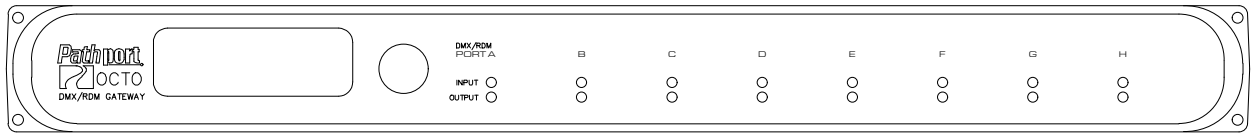
WEIGHTS AND DIMENSIONS

- 5.2 lbs (2.4 kg)
- 17"W x 1.7"H x 6"D (432mm x 40mm x 150mm)

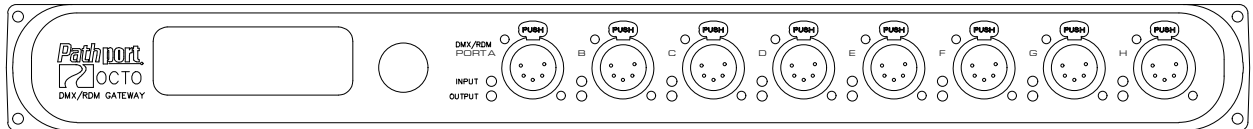
INCLUDED FURNISHINGS

- Installation/Operations manual
- Rackmount ears

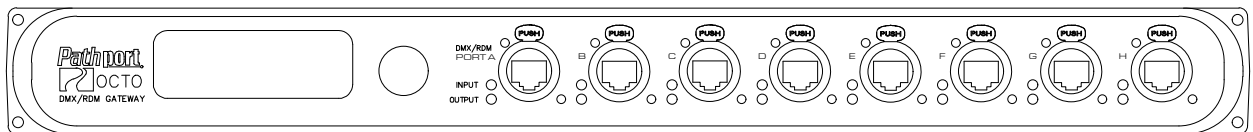
FRONT PANEL



MODELS 6421/6422/6426

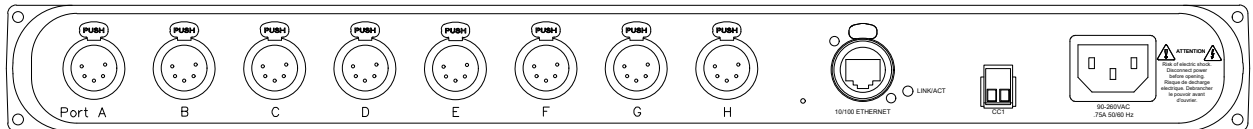


MODELS 6423

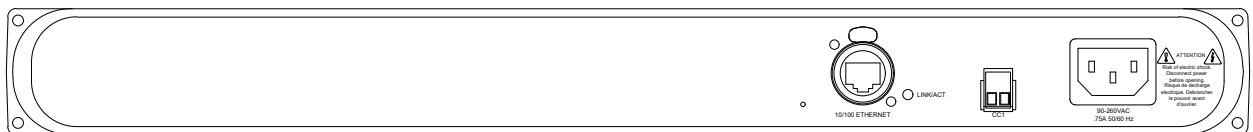


MODEL 6427

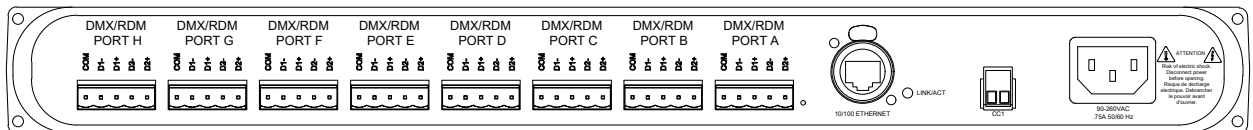
REAR PANEL



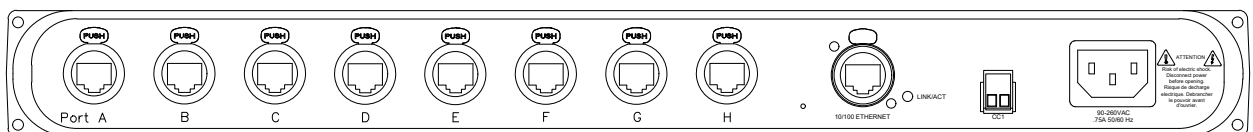
MODELS 6421



MODELS 6423/6427

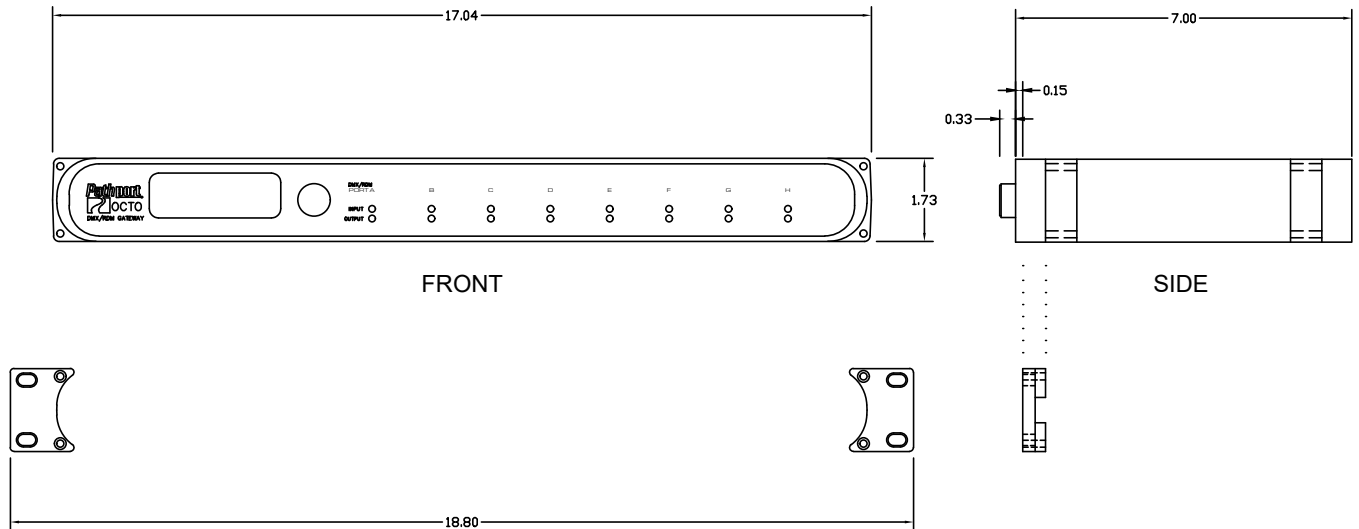


MODELS 6422

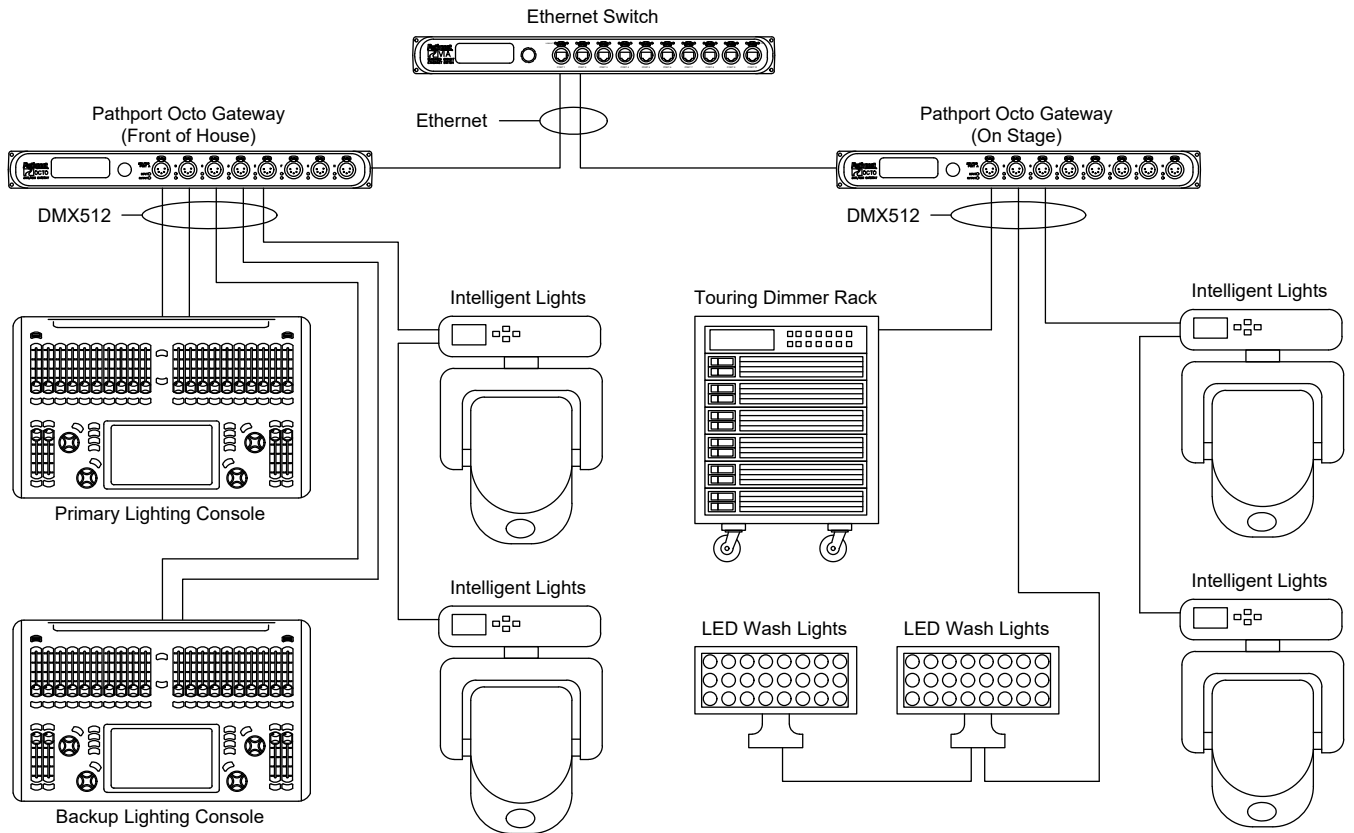


MODEL 6426

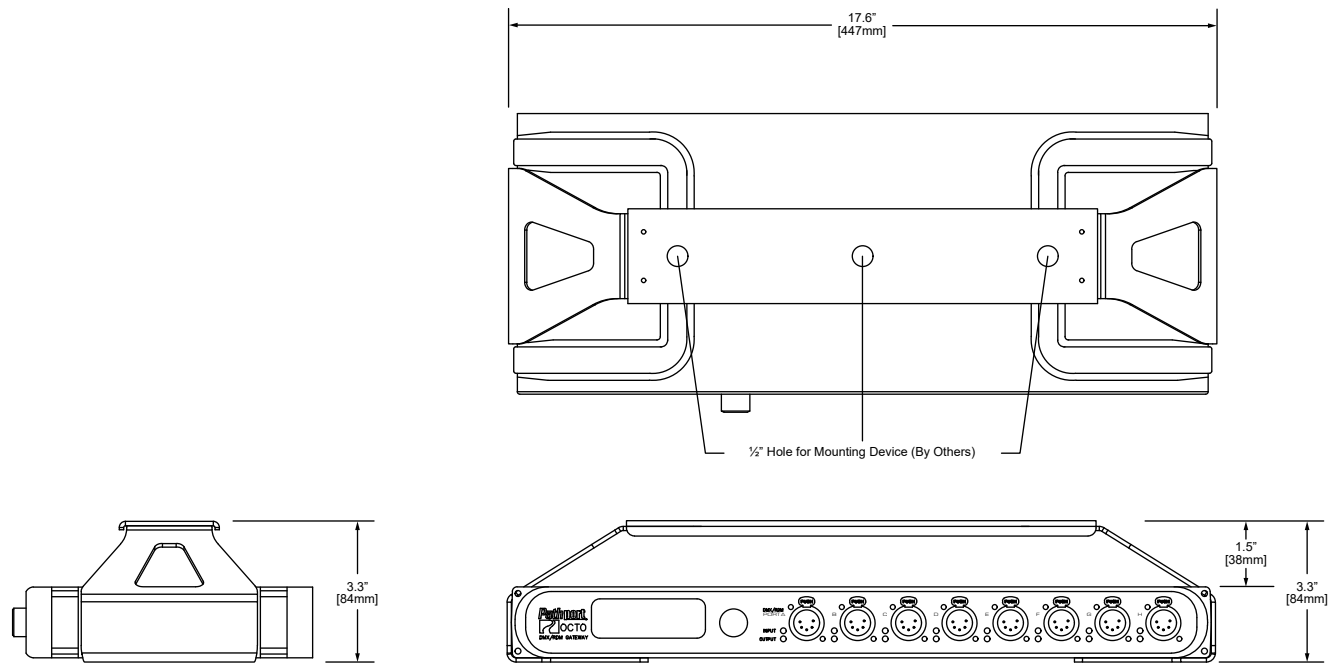
DIMENSIONS



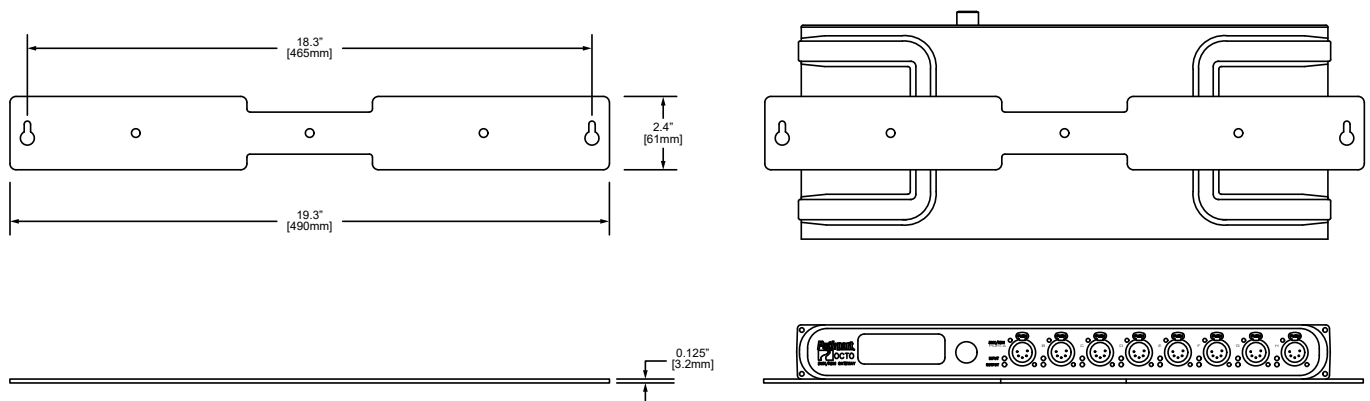
APPLICATION RISER



TRUSS MOUNT KIT - P/N #9003



WALL MOUNT KIT - P/N #9002



DMX PIN OUTS

	XLR PIN #	PURPOSE
DMX512/RDM PINOUT: FOR SHIELDED TWISTED PAIR	1	Shield
	2	Data - (complement)
	3	Data + (true)
	4	Not Used
	5	Not Used

	XLR PIN #	CAT5/6 Pin # and Color	PURPOSE
DMX512/RDM PINOUT: FOR CAT 5/6	3	1 - White/Orange	Data 1 + (true)
	2	2 - Orange	Data 1 - (complement)
	5	3 - White/Green	Not Used
	4	6 - Green	Not Used
	-	4 - Blue	Not Used - do not connect
	-	5 - White/Blue	Not Used - do not connect
	1	7 - White/Brown	Shield/COM
	1	8 - Brown	Shield/COM

ORDERING INFORMATION

PART #	DESCRIPTION
6421	Pathport OCTO 8-port Gateway, Rear XLR5F
6422	Pathport OCTO 8-port Gateway, Rear Terminals
6423	Pathport OCTO 8-port Gateway, Front XLR5F
6426	Pathport OCTO 8-port Gateway, Rear RJ45 etherCON
6427	Pathport OCTO 8-port Gateway, Front RJ45 etherCON
ACCESSORIES	
9002	Wall mount kit (Repeater, Repeater Pro, Octo, VIA)
9003	Truss mount kit (Repeater, Repeater Pro, Octo, VIA)
00-2095	Adapter, 5-position IDC to Phoenix-style connector, two ports. For use with model 6422/6427

Please note all models using RJ45 etherCON connectors for DMX ports are custom-built and are not returnable.