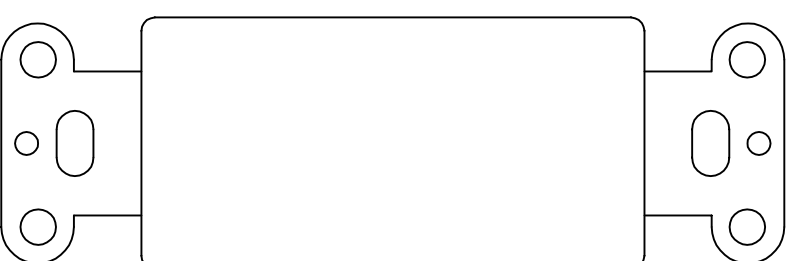


Notes:
Available in the following colors:
SS—Stainless Steel
BL—Black
WW—White



Blank Insert

FILENAME: 500x_51xx (REV D).DWG

PART NUMBER: 5100

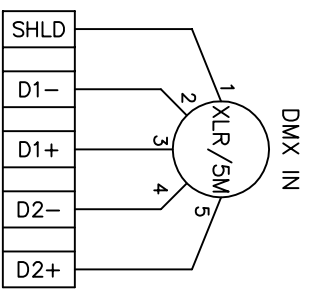


Pathway Connectivity
103 Inglewood Plaza, 1439 17th Avenue SE
Calgary, Alberta, Canada T2G 1J9
Phone: +1(403)243-8110 Fax: +1(403)287-1281
<http://www.pathwayconnect.com>

DRAWN BY:	BRIAN F. EVANS
DATE:	12/7/2015
CHECKED:	ROBERT ARMSTRONG
SCALE :	NTS
UNITS:	INCHES

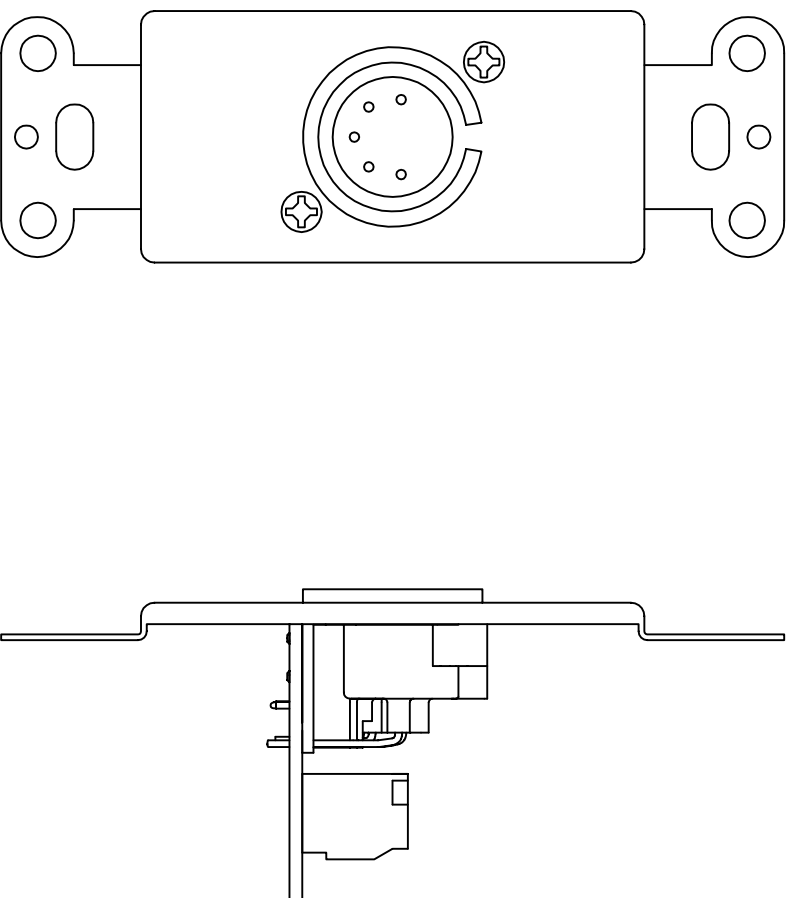


Notes:
 Available in the following colors:
 SS—Stainless Steel
 BL—Black
 WW—White



BELDEN #9829 CABLE				
T.B. NO.	SIGNAL	COLOR	PAIR	DRAIN
1	COMMON	DRAIN	SHLD	
2	D1-	WHT/BLU		1
3	D1+	BLU/WHT		
4	NOT USED	WHT/ORG		
5	NOT USED	ORG/WHT		2

CATEGORY 5 CABLE				
T.B. NO.	SIGNAL	COLOR	PAIR	DRAIN
1	COMMON	BROWN (BOTH)		
2	D1-	ORG		
3	D1+	WHT/ORG		
4	NOT USED	GRN		
5	NOT USED	WHT/GRN		



5 Pin Male XLR Insert

FILENAME: 500x_51xx (REV D).DWG

PART NUMBER: 5101



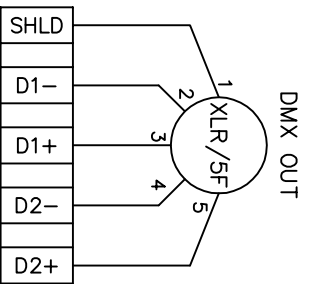
Pathway
 Connectivity Solutions

Pathway Connectivity
 103 Inglewood Plaza, 1439 17th Avenue SE
 Calgary, Alberta, Canada T2G 1J9
 Phone: +1(403)243-8110 Fax: +1(403)287-1281
<http://www.pathwayconnect.com>

DRAWN BY: BRIAN F. EVANS
 DATE: 12/7/2015
 CHECKED: ROBERT ARMSTRONG
 SCALE: NTS
 UNITS: INCHES

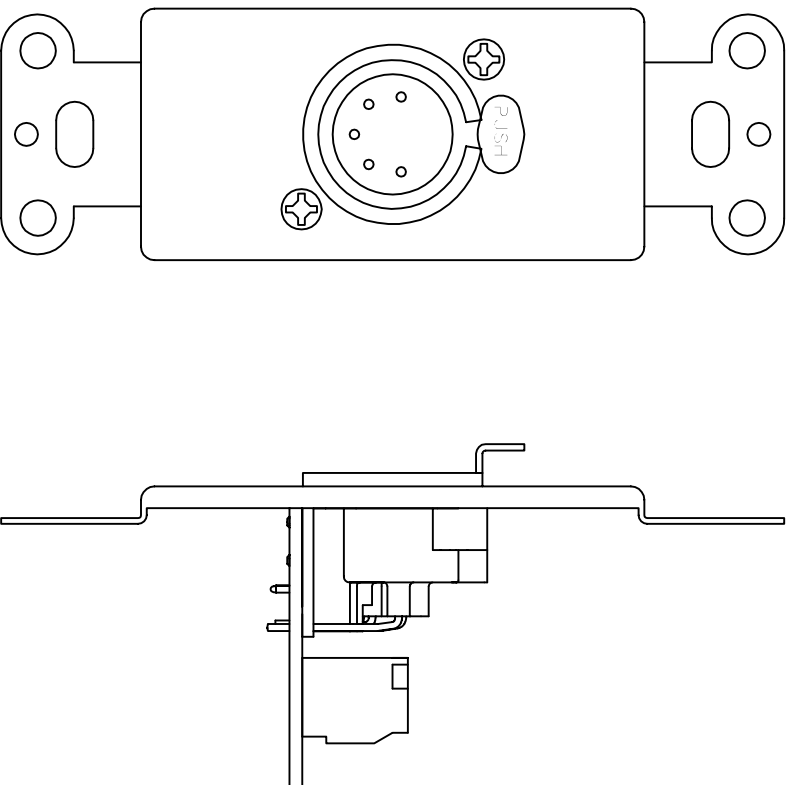
REV

Notes:
 Available in the following colors:
 SS—Stainless Steel
 BL—Black
 WW—White



BELDEN #9829 CABLE				
T.B. NO.	SIGNAL	COLOR	PAIR	DRAIN
1	COMMON	BROWN	SHLD	
2	D1-	WHT/BLU		1
3	D1+	BLU/WHT		
4	NOT USED	WHT/ORG		
5	NOT USED	ORG/WHT		2

CATEGORY 5 CABLE				
T.B. NO.	SIGNAL	COLOR	PAIR	DRAIN
1	COMMON	BROWN (BOTH)		
2	D1-	ORG		
3	D1+	WHT/ORG		
4	NOT USED	GRN		
5	NOT USED	WHT/GRN		



5 Pin Female XLR Insert

FILENAME: 500x_51xx (REV D).DWG

PART NUMBER: 5102



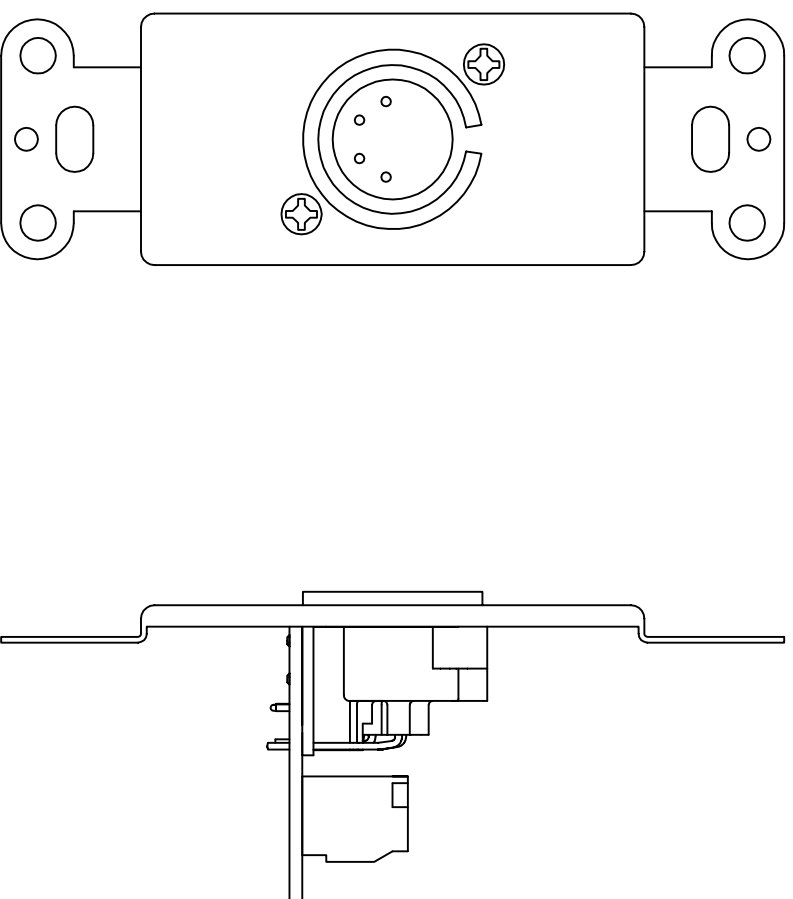
Pathway
 Connectivity Solutions

Pathway Connectivity
 103 Inglewood Plaza, 1439 17th Avenue SE
 Calgary, Alberta, Canada T2G 1J9
 Phone: +1(403)243-8110 Fax: +1(403)287-1281
<http://www.pathwayconnect.com>

DRAWN BY: BRIAN F. EVANS
 DATE: 12/7/2015
 CHECKED: ROBERT ARMSTRONG
 SCALE: NTS
 UNITS: INCHES

REV

Notes:
Available in the following colors:
SS—Stainless Steel
BL—Black



4 Pin Male XLR Insert

FILENAME: 500x_51xx (REV D).DWG

PART NUMBER: 5103

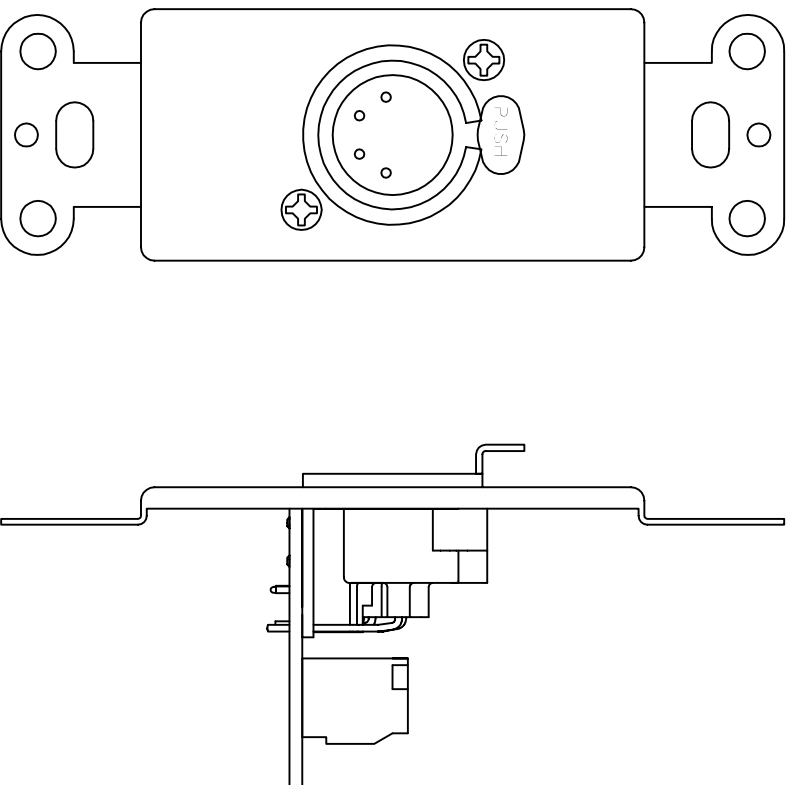


Pathway Connectivity
103 Inglewood Plaza, 1439 17th Avenue SE
Calgary, Alberta, Canada T2G 1J9
Phone: +(403)243-8110 Fax: +(403)287-1281
<http://www.pathwayconnect.com>

DRAWN BY: BRIAN F. EVANS
DATE: 12/7/2015
CHECKED: ROBERT ARMSTRONG
SCALE: NTS
UNITS: INCHES



Notes:
Available in the following colors:
SS—Stainless Steel
BL—Black



4 Pin Female XLR Insert

FILENAME: 500x_51xx (REV D).DWG

PART NUMBER: 5104

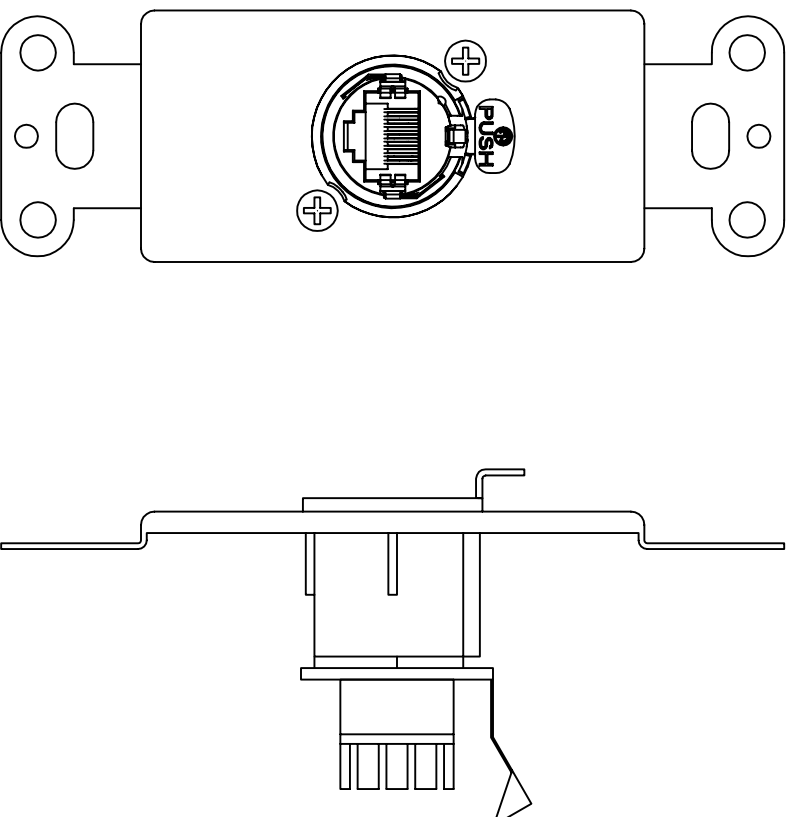


Pathway Connectivity
103 Inglewood Plaza, 1439 17th Avenue SE
Calgary, Alberta, Canada T2G 1J9
Phone: +(403)243-8110 Fax: +(403)287-1281
<http://www.pathwayconnect.com>

DRAWN BY:	BRIAN F. EVANS
DATE:	12/7/2015
CHECKED:	ROBERT ARMSTRONG
SCALE :	NTS
UNITS:	INCHES



Notes:
Available in the following colors:
SS—Stainless Steel
BL—Black



RJ45 EtherCon Insert

FILENAME: 500x_51xx (REV D).DWG

PART NUMBER: 5105

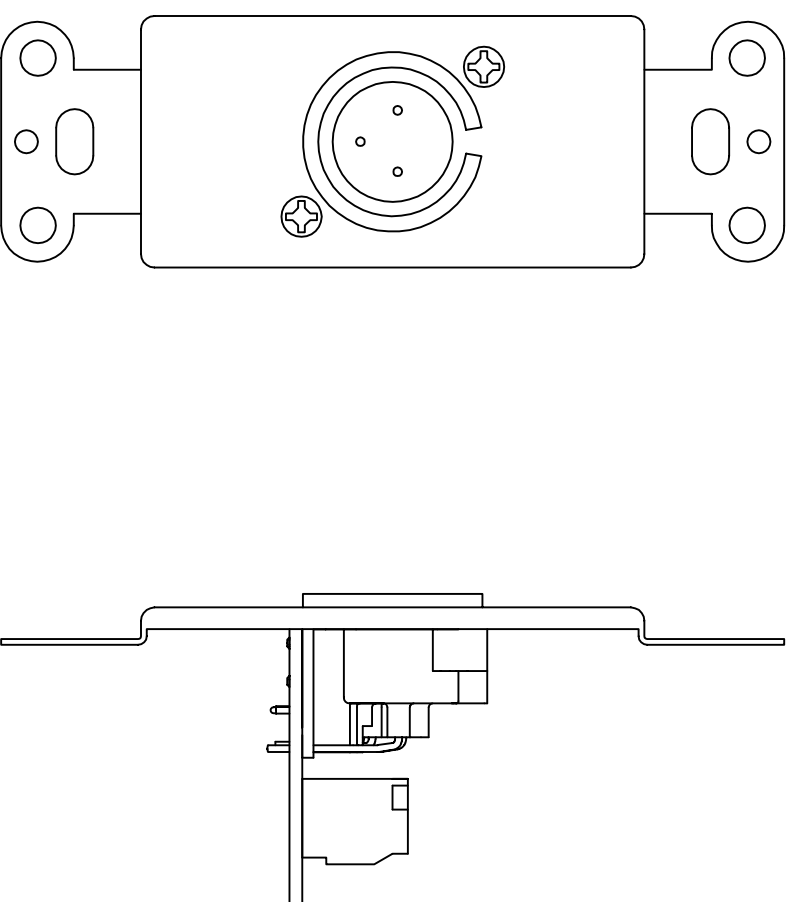


Pathway Connectivity
103 Inglewood Plaza, 1439 17th Avenue SE
Calgary, Alberta, Canada T2G 1J9
Phone: +(403)243-8110 Fax: +(403)287-1281
<http://www.pathwayconnect.com>

DRAWN BY: BRIAN F. EVANS
DATE: 12/7/2015
CHECKED: ROBERT ARMSTRONG
SCALE: NTS
UNITS: INCHES



Notes:
Available in the following colors:
SS—Stainless Steel
BL—Black



3 Pin Male XLR Insert

FILENAME: 500x_51xx (REV D).DWG

PART NUMBER: 5107

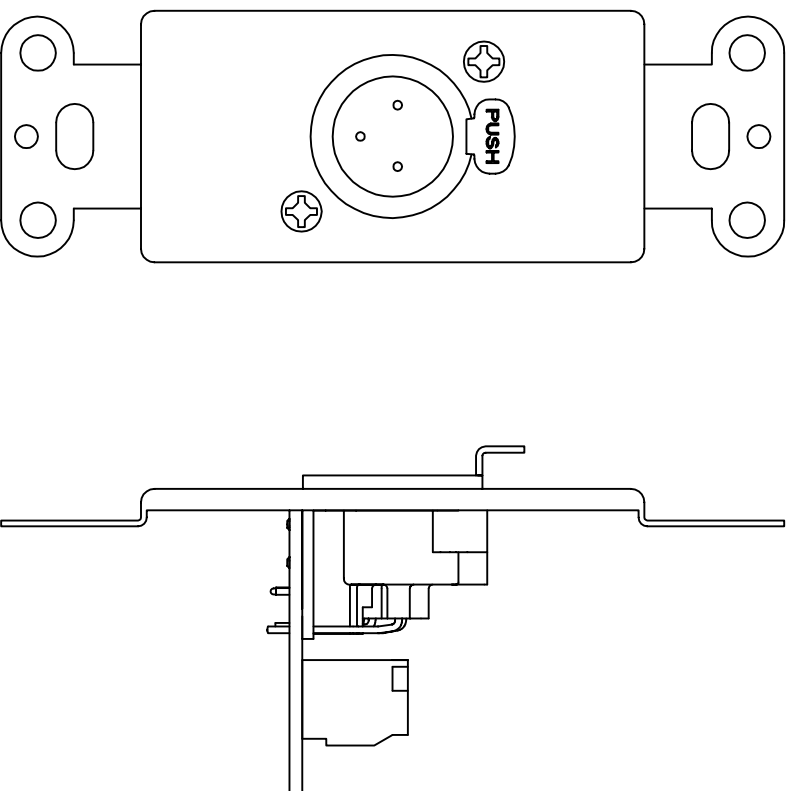


Pathway Connectivity
103 Inglewood Plaza, 1439 17th Avenue SE
Calgary, Alberta, Canada T2G 1J9
Phone: +(403)243-8110 Fax: +(403)287-1281
<http://www.pathwayconnect.com>

DRAWN BY:	BRIAN F. EVANS
DATE:	12/7/2015
CHECKED:	ROBERT ARMSTRONG
SCALE :	NTS
UNITS:	INCHES



Notes:
Available in the following colors:
SS—Stainless Steel
BL—Black



3 Pin Female XLR Insert

FILENAME: 500x_51xx (REV D).DWG

PART NUMBER: 5108

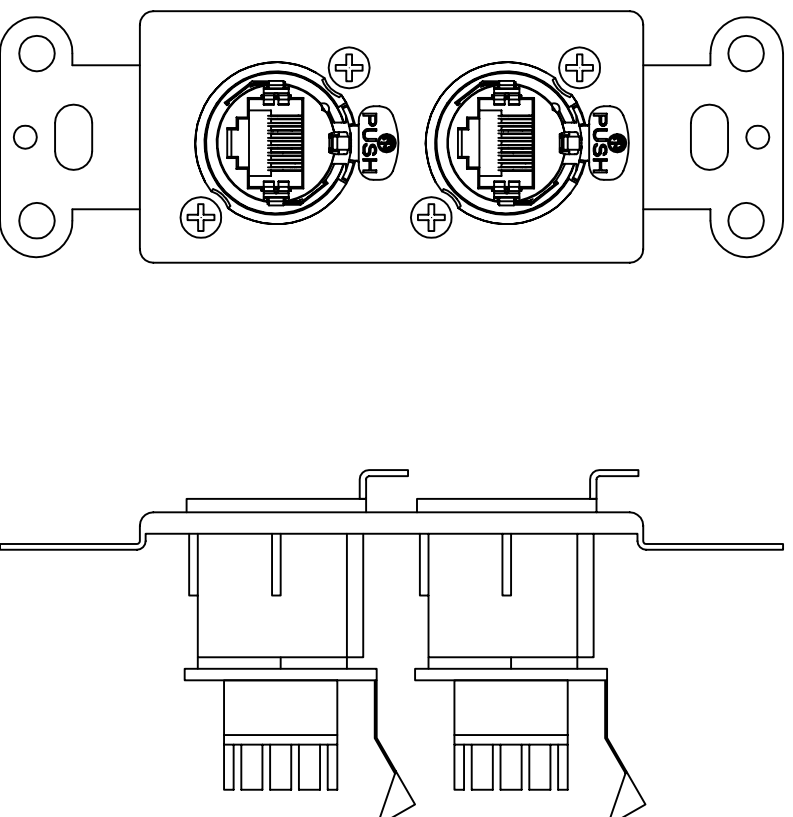


Pathway Connectivity
103 Inglewood Plaza, 1439 17th Avenue SE
Calgary, Alberta, Canada T2G 1J9
Phone: +(403)243-8110 Fax: +(403)287-1281
<http://www.pathwayconnect.com>

DRAWN BY: BRIAN F. EVANS
DATE: 12/7/2015
CHECKED: ROBERT ARMSTRONG
SCALE: NTS
UNITS: INCHES



Notes:
Available in the following colors:
SS—Stainless Steel
BL—Black



RJ45 Two EtherCon Insert

FILENAME: 500x_51xx (REV D).DWG

PART NUMBER: 5115

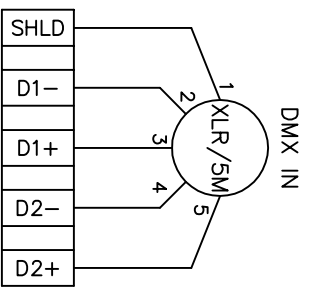


Pathway Connectivity
103 Inglewood Plaza, 1439 17th Avenue SE
Calgary, Alberta, Canada T2G 1J9
Phone: +(403)243-8110 Fax: +(403)287-1281
<http://www.pathwayconnect.com>

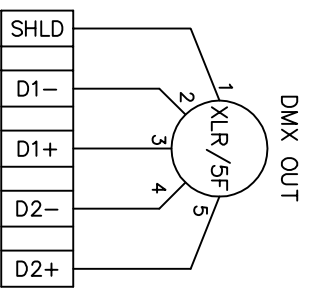
DRAWN BY:	BRIAN F. EVANS
DATE:	12/7/2015
CHECKED:	ROBERT ARMSTRONG
SCALE :	NTS
UNITS:	INCHES



Notes:
 Available in the following colors:
 SS—Stainless Steel
 BL—Black



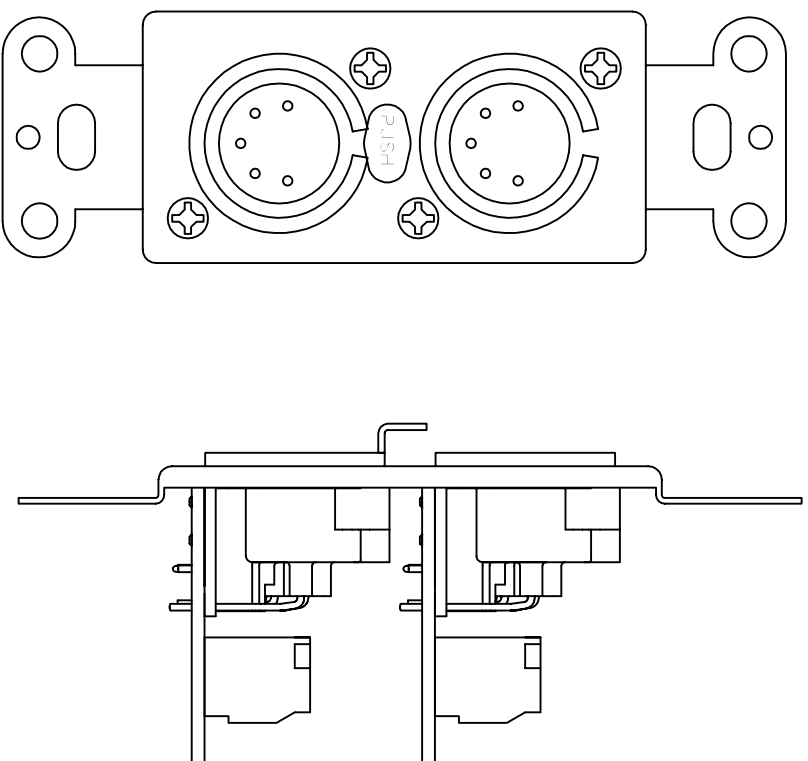
T.B. NO.	SIGNAL	COLOR	PAIR
1	COMMON	DRAIN	SHLD
2	D1-	WHT/BLU	1
3	D1+	BLU/WHT	
4	NOT USED	WHT/ORG	
5	NOT USED	ORG/WHT	2



T.B. NO.	SIGNAL	COLOR	PAIR
1	COMMON	DRAIN	SHLD
2	D1-	WHT/BLU	1
3	D1+	BLU/WHT	
4	NOT USED	WHT/ORG	
5	NOT USED	ORG/WHT	2

CATEGORY 5 CABLE			
T.B. NO.	SIGNAL	COLOR	
1	COMMON	BROWN (BOTH)	
2	D1-	ORG	
3	D1+	WHT/ORG	
4	NOT USED	GRN	
5	NOT USED	WHT/GRN	

CATEGORY 5 CABLE			
T.B. NO.	SIGNAL	COLOR	
1	COMMON	BROWN (BOTH)	
2	D1-	ORG	
3	D1+	WHT/ORG	
4	NOT USED	GRN	
5	NOT USED	WHT/GRN	



Dual Insert, 5 Pin XLR (M,F)

FILENAME: 500x_51xx (REV D).DWG

PART NUMBER: 5121

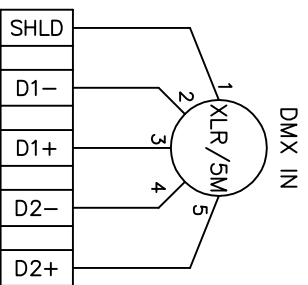


Pathway Connectivity
 103 Inglewood Plaza, 1439 17th Avenue SE
 Calgary, Alberta, Canada T2G 1J9
 Phone: +1(403)243-8110 Fax: +1(403)287-1281
<http://www.pathwayconnect.com>

DRAWN BY: BRIAN F. EVANS
 DATE: 12/7/2015
 CHECKED: ROBERT ARMSTRONG
 SCALE: NTS
 UNITS: INCHES

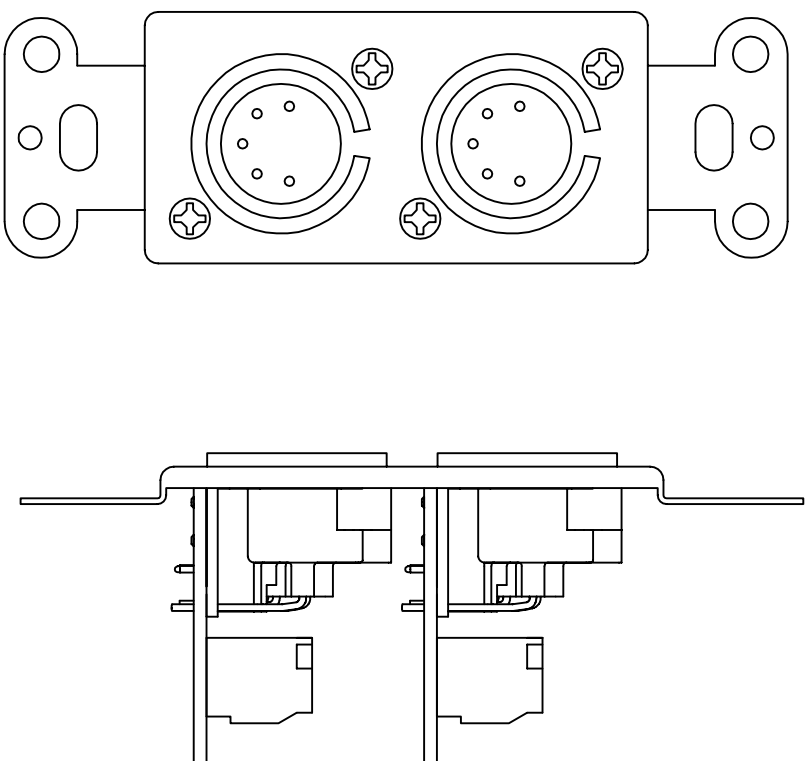
REV

Notes:
 Available in the following colors:
 SS—Stainless Steel
 BL—Black



T.B. NO.	SIGNAL	COLOR	PAIR
1	COMMON	DRAIN	SHLD
2	D1-	WHT/BLU	1
3	D1+	BLU/WHT	
4	NOT USED	WHT/ORG	
5	NOT USED	ORG/WHT	2

T.B. NO.	SIGNAL	COLOR
1	COMMON	BROWN (BOTH)
2	D1-	ORG
3	D1+	WHT/ORG
4	NOT USED	GRN
5	NOT USED	WHT/GRN



Dual Insert, 5 Pin XLR (M,M)

FILENAME: 500x_51xx (REV D).DWG

PART NUMBER: 5122

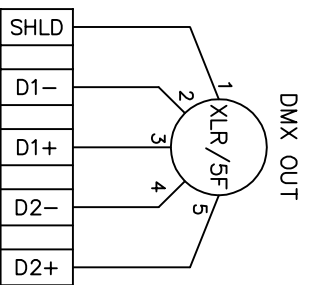


Pathway Connectivity
 103 Inglewood Plaza, 1439 17th Avenue SE
 Calgary, Alberta, Canada T2G 1J9
 Phone: +1(403)243-8110 Fax: +1(403)287-1281
<http://www.pathwayconnect.com>

DRAWN BY: BRIAN F. EVANS
 DATE: 12/7/2015
 CHECKED: ROBERT ARMSTRONG
 SCALE: NTS
 UNITS: INCHES

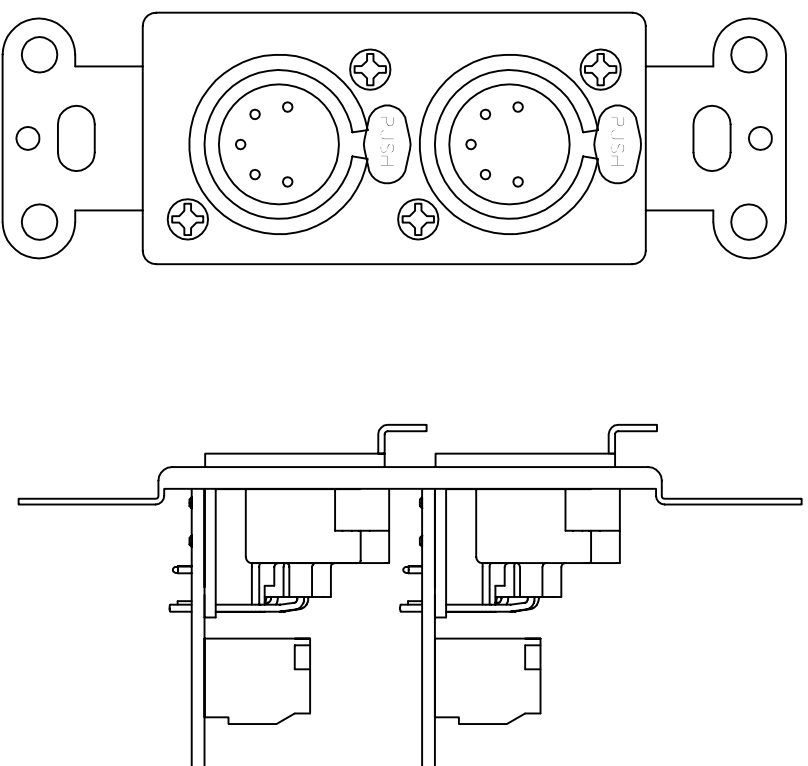


Notes:
 Available in the following colors:
 SS—Stainless Steel
 BL—Black



T.B. NO.	SIGNAL	COLOR	PAIR
1	COMMON	BROWN (BOTH)	SHLD
2	D1-	WHT/BLU	1
3	D1+	BLU/WHT	
4	NOT USED	WHT/ORG	
5	NOT USED	ORG/WHT	2

T.B. NO.	SIGNAL	COLOR
1	COMMON	BROWN (BOTH)
2	D1-	ORG
3	D1+	WHT/ORG
4	NOT USED	GRN
5	NOT USED	WHT/GRN



Dual Insert, 5 Pin XLR (F,F)

FILENAME: 500x_51xx (REV D).DWG

PART NUMBER: 5123

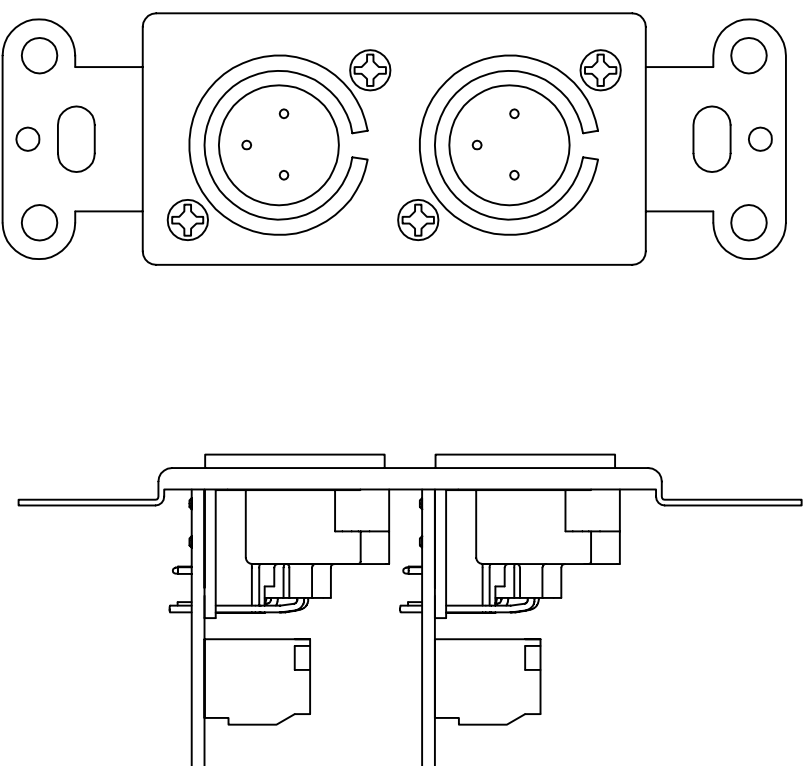


Pathway Connectivity
 103 Inglewood Plaza, 1439 17th Avenue SE
 Calgary, Alberta, Canada T2G 1J9
 Phone: +1(403)243-8110 Fax: +1(403)287-1281
<http://www.pathwayconnect.com>

DRAWN BY: BRIAN F. EVANS
 DATE: 12/7/2015
 CHECKED: ROBERT ARMSTRONG
 SCALE: NTS
 UNITS: INCHES

REV

Notes:
Available in the following colors:
SS—Stainless Steel
BL—Black



Dual Insert, 3 Pin XLR (M,M)

FILENAME: 500x_51xx (REV D).DWG

PART NUMBER: 5127

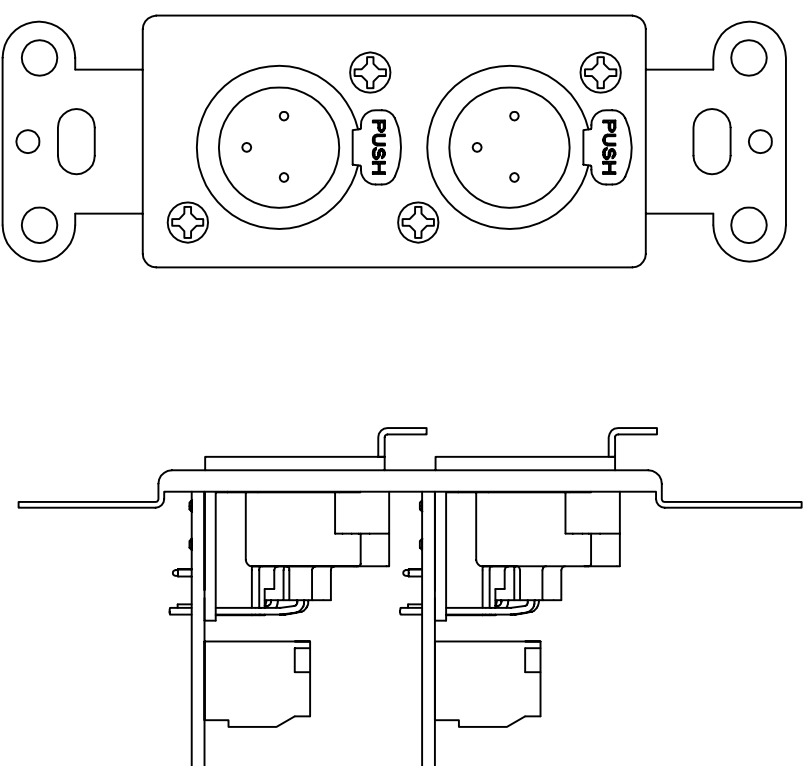


Pathway Connectivity
103 Inglewood Plaza, 1439 17th Avenue SE
Calgary, Alberta, Canada T2G 1J9
Phone: +(403)243-8110 Fax: +(403)287-1281
<http://www.pathwayconnect.com>

DRAWN BY:	BRIAN F. EVANS
DATE:	12/7/2015
CHECKED:	ROBERT ARMSTRONG
SCALE :	NTS
UNITS:	INCHES



Notes:
Available in the following colors:
SS—Stainless Steel
BL—Black



Dual Insert, 3 pin XLR (F,F)

FILENAME: 500x_51xx (REV D).DWG

PART NUMBER: 5128

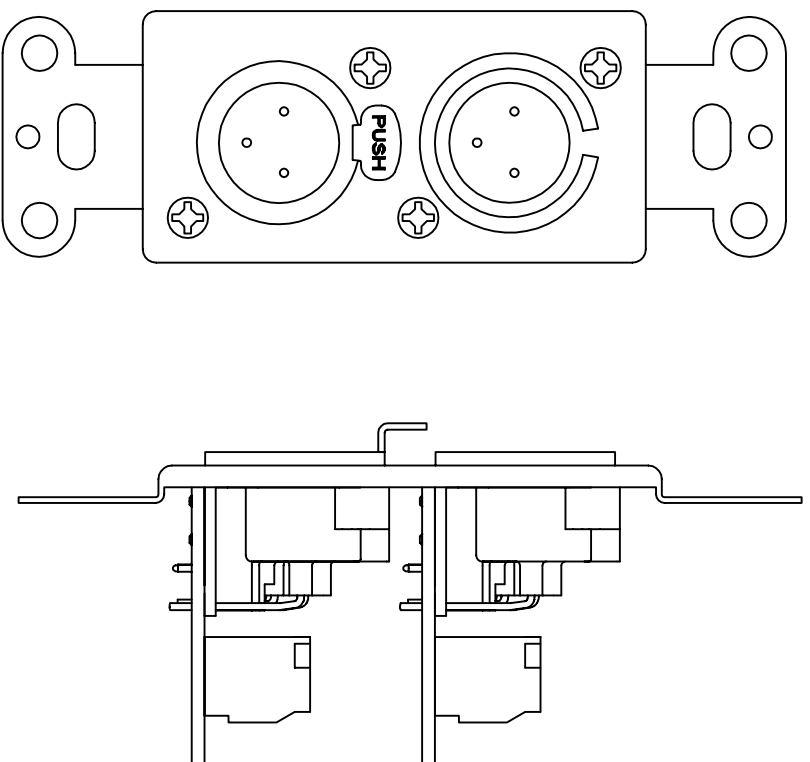


Pathway Connectivity
103 Inglewood Plaza, 1439 17th Avenue SE
Calgary, Alberta, Canada T2G 1J9
Phone: +(403)243-8110 Fax: +(403)287-1281
<http://www.pathwayconnect.com>

DRAWN BY:	BRIAN F. EVANS
DATE:	12/7/2015
CHECKED:	ROBERT ARMSTRONG
SCALE :	NTS
UNITS:	INCHES

REV
C

Notes:
Available in the following colors:
SS—Stainless Steel
BL—Black



Dual Insert, 3 Pin XLR (M,F)

FILENAME: 500x_51xx (REV D).DWG

PART NUMBER: 5129

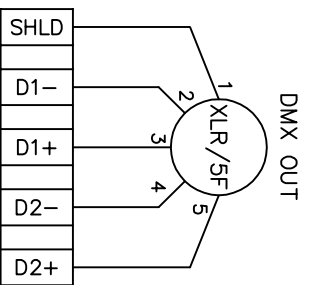


Pathway Connectivity
103 Inglewood Plaza, 1439 17th Avenue SE
Calgary, Alberta, Canada T2G 1J9
Phone: +(403)243-8110 Fax: +(403)287-1281
<http://www.pathwayconnect.com>

DRAWN BY:	BRIAN F. EVANS
DATE:	12/7/2015
CHECKED:	ROBERT ARMSTRONG
SCALE :	NTS
UNITS:	INCHES

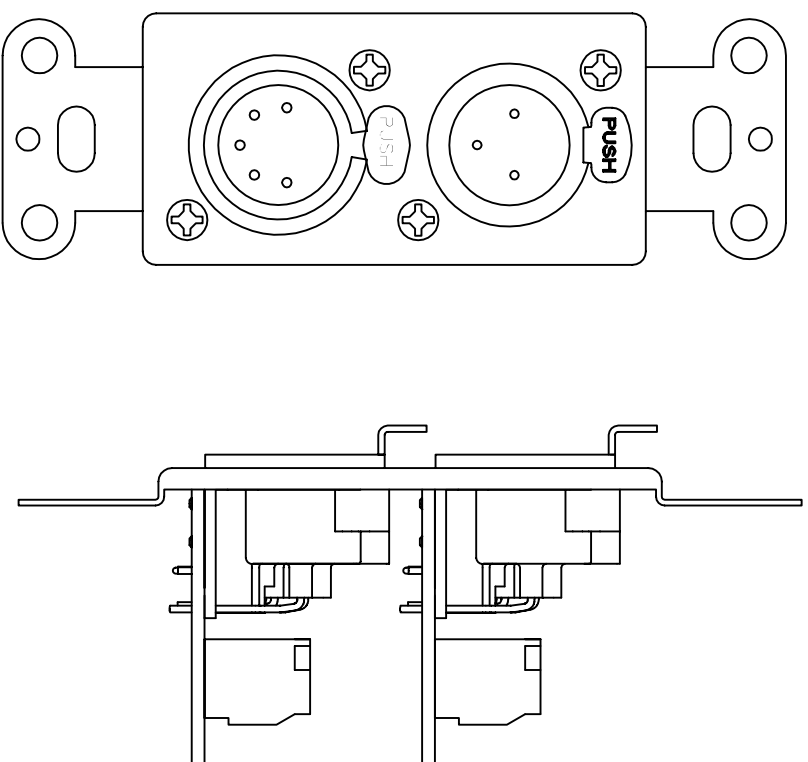


Notes:
 Available in the following colors:
 SS—Stainless Steel
 BL—Black



BELDEN #9829 CABLE			
T.B. NO.	SIGNAL	COLOR	PAIR
1	COMMON	DRAIN	SHLD
2	D1-	WHT/BLU	1
3	D1+	BLU/WHT	
4	NOT USED	WHT/ORG	
5	NOT USED	ORG/WHT	2

CATEGORY 5 CABLE			
T.B. NO.	SIGNAL	COLOR	
1	COMMON	BROWN (BOTH)	
2	D1-	ORG	
3	D1+	WHT/ORG	
4	NOT USED	GRN	
5	NOT USED	WHT/GRN	



Dual Insert, 3 Pin XLR (F), 5 pin XLR (F)

FILENAME: 500x_51xx (REV D).DWG

PART NUMBER: 5136



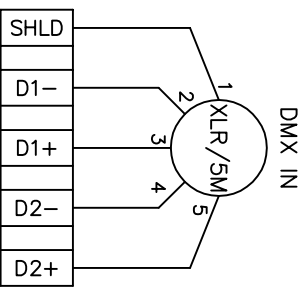
Pathway
 Connectivity Solutions

Pathway Connectivity
 103 Inglewood Plaza, 1439 17th Avenue SE
 Calgary, Alberta, Canada T2G 1J9
 Phone: +1(403)243-8110 Fax: +1(403)287-1281
<http://www.pathwayconnect.com>

DRAWN BY: BRIAN F. EVANS
 DATE: 12/7/2015
 CHECKED: ROBERT ARMSTRONG
 SCALE: NTS
 UNITS: INCHES

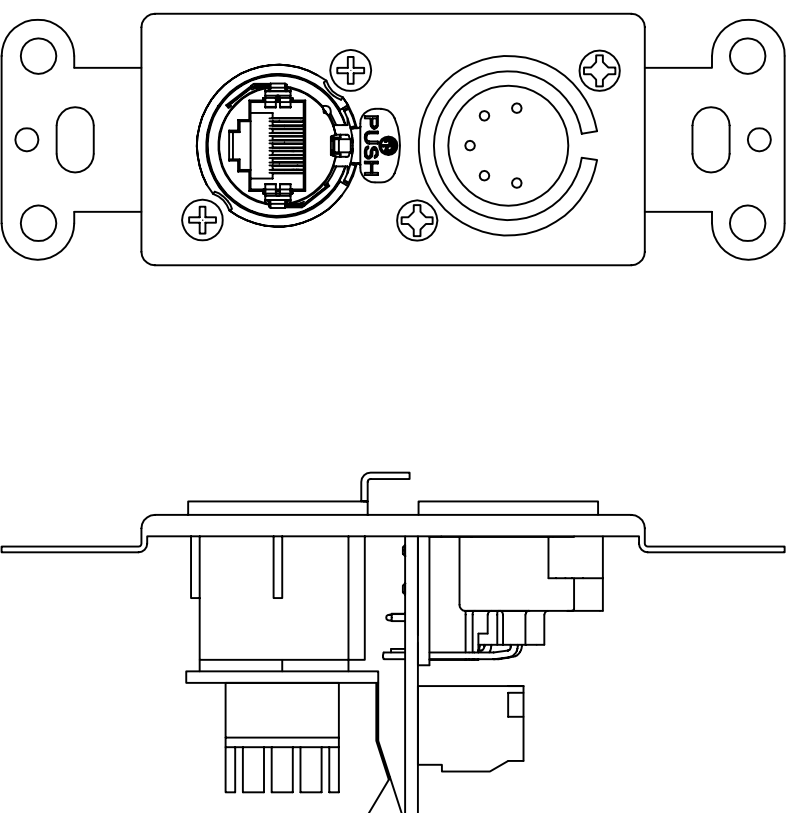
REV

Notes:
 Available in the following colors:
 SS—Stainless Steel
 BL—Black



BELDEN #9829 CABLE				
T.B. NO.	SIGNAL	COLOR	PAIR	SHLD
1	COMMON	BROWN	1	
2	D1-	WHT/BLU	1	
3	D1+	BLU/WHT	1	
4	NOT USED	WHT/ORG		
5	NOT USED	ORG/WHT		

CATEGORY 5 CABLE				
T.B. NO.	SIGNAL	COLOR	PAIR	SHLD
1	COMMON	BROWN (BOTH)		
2	D1-	ORG		
3	D1+	WHT/ORG		
4	NOT USED	GRN		
5	NOT USED	WHT/GRN		



Dual Insert, 5 Pin XLR (M), RJ45 EtherCon

FILENAME: 500x_51xx (REV D).DWG

PART NUMBER: 5141

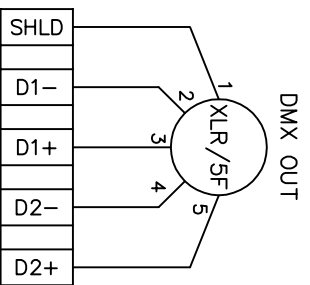


Pathway Connectivity
 103 Inglewood Plaza, 1439 17th Avenue SE
 Calgary, Alberta, Canada T2G 1J9
 Phone: +1(403)243-8110 Fax: +1(403)287-1281
<http://www.pathwayconnect.com>

DRAWN BY: BRIAN F. EVANS
 DATE: 12/7/2015
 CHECKED: ROBERT ARMSTRONG
 SCALE: NTS
 UNITS: INCHES

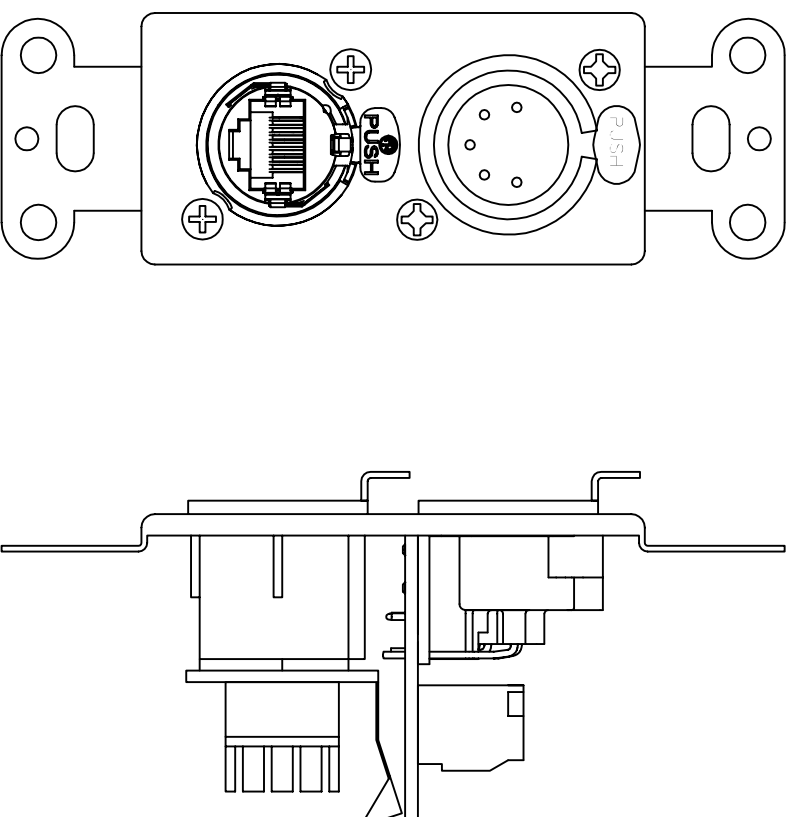
REV

Notes:
 Available in the following colors:
 SS—Stainless Steel
 BL—Black



BELDEN #9829 CABLE				
T.B. NO.	SIGNAL	COLOR	PAIR	SHLD
1	COMMON	BRAIN		
2	D1-	WHT/BLU		1
3	D1+	BLU/WHT		
4	NOT USED	WHT/ORG		
5	NOT USED	ORG/WHT		2

CATEGORY 5 CABLE				
T.B. NO.	SIGNAL	COLOR	PAIR	SHLD
1	COMMON	BROWN (BOTH)		
2	D1-	ORG		
3	D1+	WHT/ORG		
4	NOT USED	GRN		
5	NOT USED	WHT/GRN		



Dual Insert, 5 Pin XLR (F), RJ45 EtherCon

FILENAME: 500x_51xx (REV D).DWG

PART NUMBER: 5142

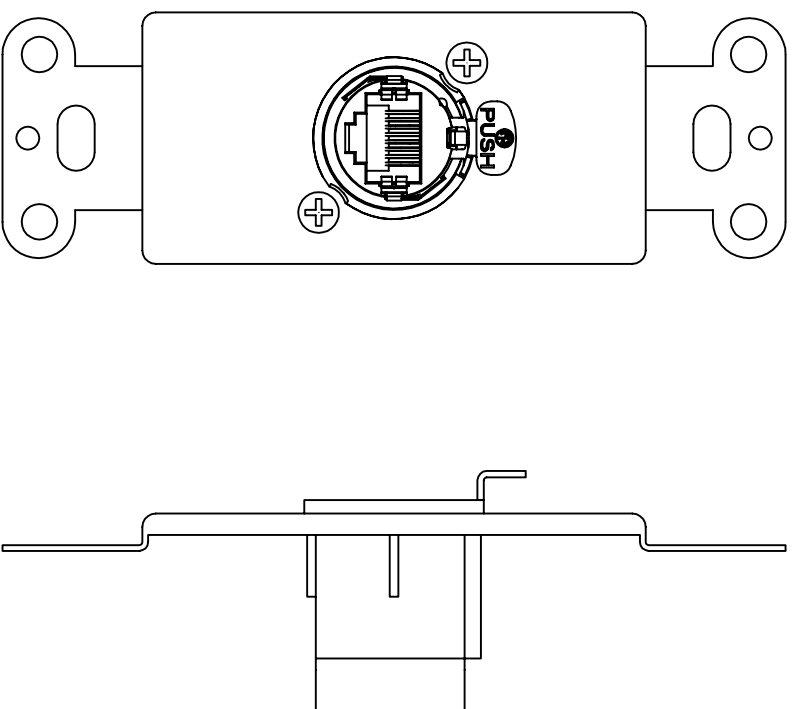


Pathway Connectivity
 103 Inglewood Plaza, 1439 17th Avenue SE
 Calgary, Alberta, Canada T2G 1J9
 Phone: +1(403)243-8110 Fax: +1(403)287-1281
<http://www.pathwayconnect.com>

DRAWN BY: BRIAN F. EVANS
 DATE: 12/7/2015
 CHECKED: ROBERT ARMSTRONG
 SCALE: NTS
 UNITS: INCHES

REV

Notes:
Available in the following colors:
SS—Stainless Steel
BL—Black



RJ45 EtherCon Pass-Thru Insert

FILENAME: 500x_51xx (REV D).DWG

PART NUMBER: 5165



Pathway Connectivity
103 Inglewood Plaza, 1439 17th Avenue SE
Calgary, Alberta, Canada T2G 1J9
Phone: +(403)243-8110 Fax: +(403)287-1281
<http://www.pathwayconnect.com>

DRAWN BY: BRIAN F. EVANS
DATE: 12/7/2015
CHECKED: ROBERT ARMSTRONG
SCALE: NTS
UNITS: INCHES

REV
C