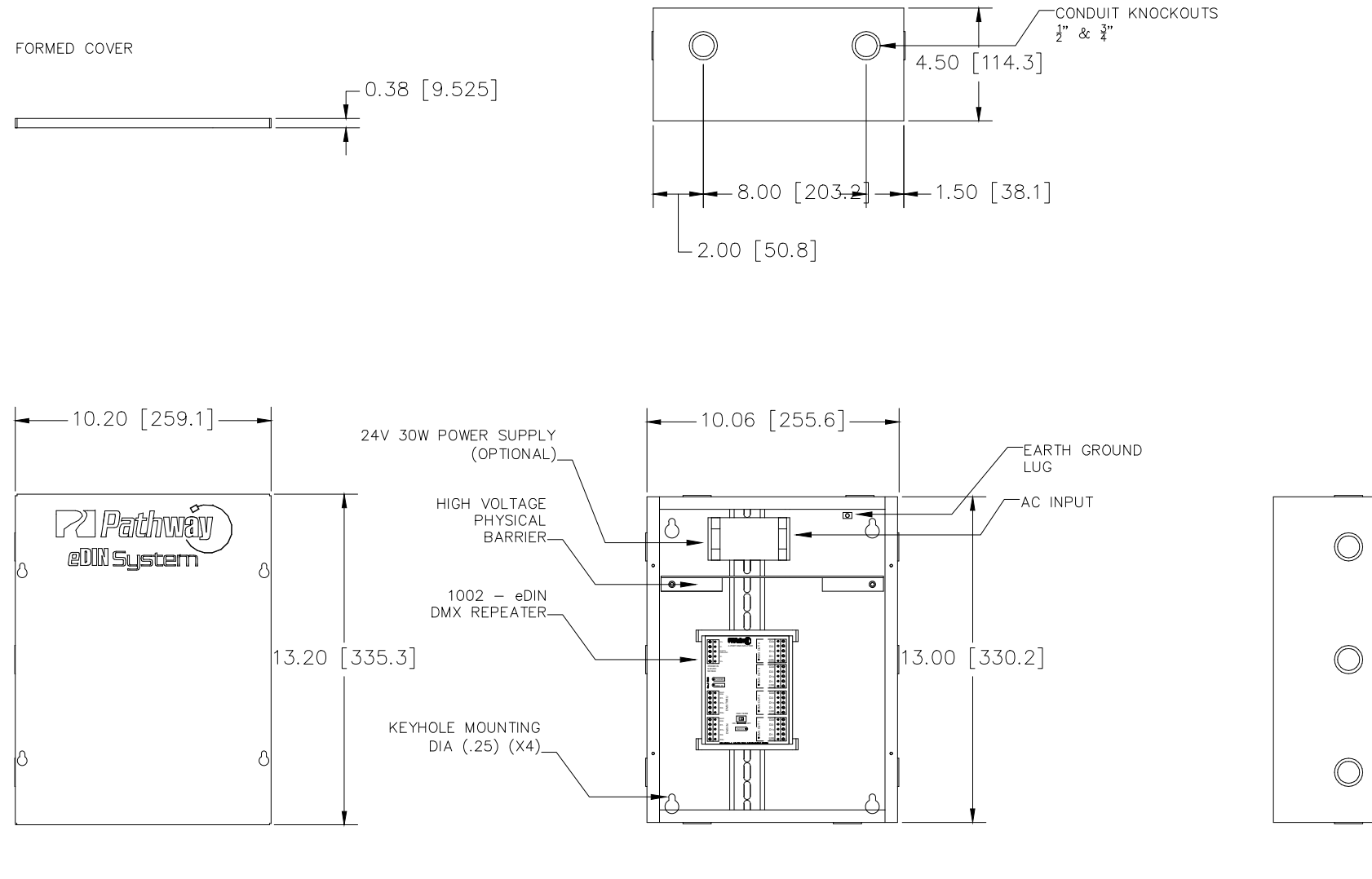


SPECIFICATIONS

SURFACE MOUNT ENCLOSURE
 MATERIAL – 18 GA. COLD ROLLED STEEL
 FINISH – MATTE BLACK POWDER COAT
 35mm x 7.5mm DIN RAIL MOUNTING

10.2"x13.2"x.38" FORMED COVER (included)



4807 - 4 way eDIN Installation Splitter

FILENAME: 480x - eDIN Installation Repeaters.DWG PART NUMBER: 4807



Pathway Connectivity Inc.
 103 Inglewood Plaza, 1439 17th Avenue SE
 Calgary, Alberta, Canada T2G 1J9
 Phone: +1(403)243-8110 Fax: +1(403)287-1281
<http://www.pathwayconnect.com>

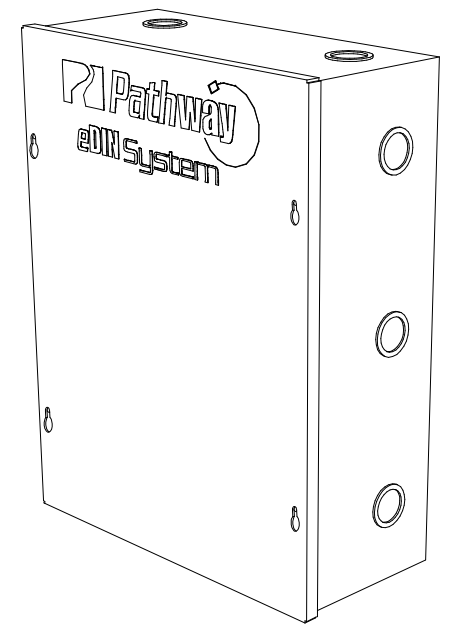
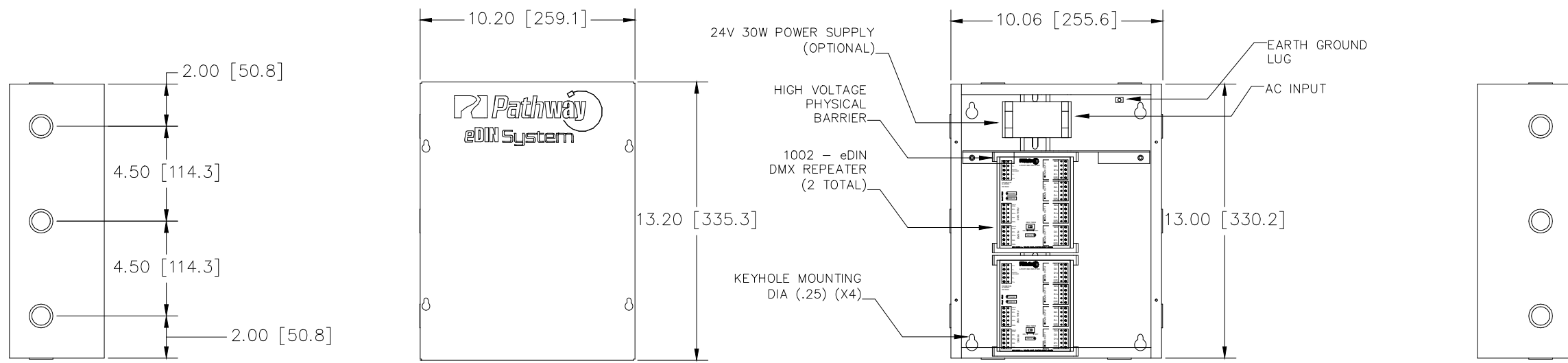
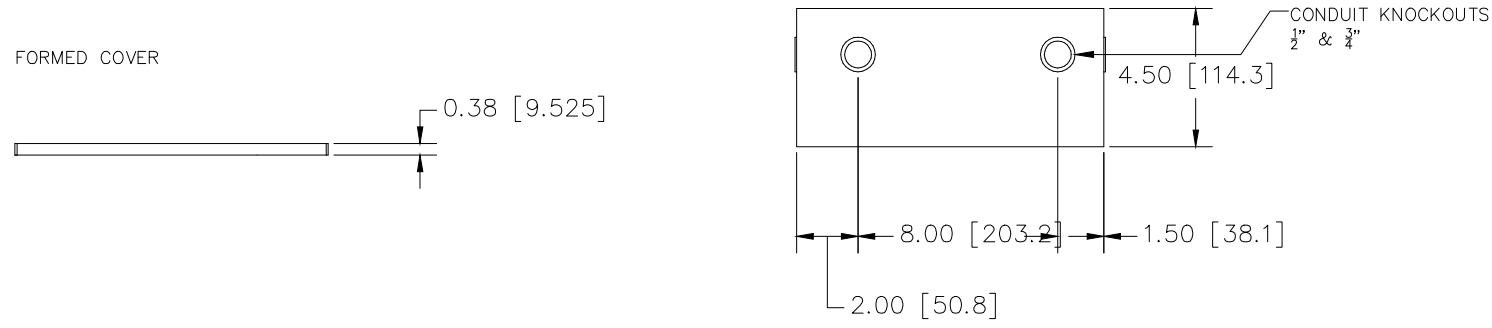
DRAWN BY:	BRIAN F. EVANS
DATE:	5/18/2017
CHECKED:	ROBERT BELL
SCALE :	NTS
UNITS:	INCHES [mm]

REV
A

SPECIFICATIONS

SURFACE MOUNT ENCLOSURE
 MATERIAL – 18 GA. COLD ROLLED STEEL
 FINISH – MATTE BLACK POWDER COAT
 35mm x 7.5mm DIN RAIL MOUNTING

10.2"x13.2"x.38" FORMED COVER (included)



4808 - 8 way eDIN Installation Splitter

FILENAME: 480x - eDIN Installation Repeaters.DWG

PART NUMBER: 4808



Pathway Connectivity Inc.
 103 Inglewood Plaza, 1439 17th Avenue SE
 Calgary, Alberta, Canada T2G 1J9
 Phone: +1(403)243-8110 Fax: +1(403)287-1281
<http://www.pathwayconnect.com>

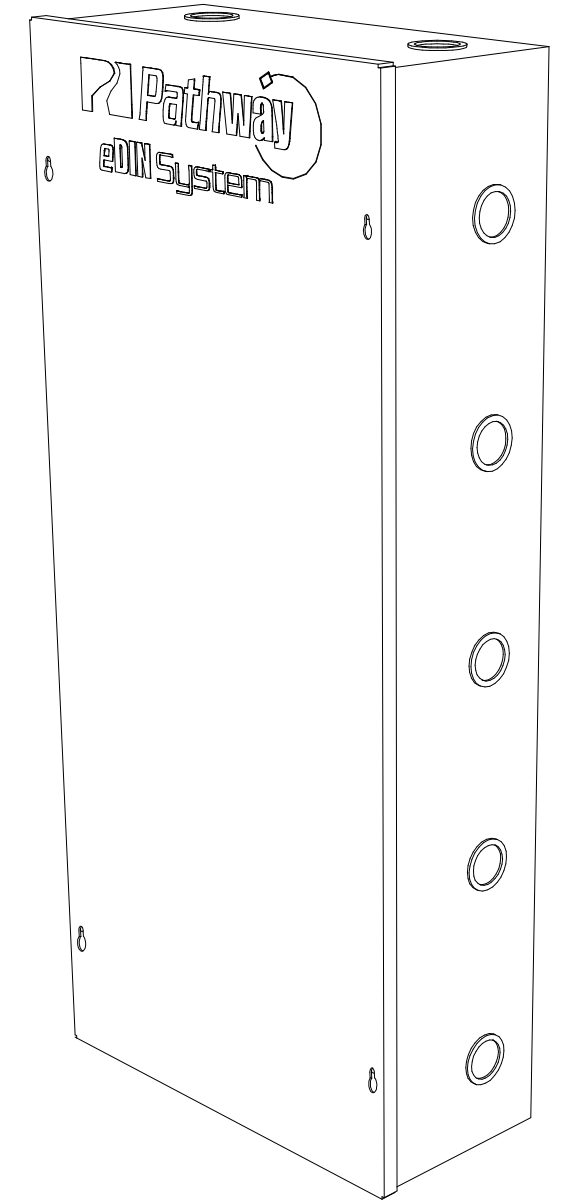
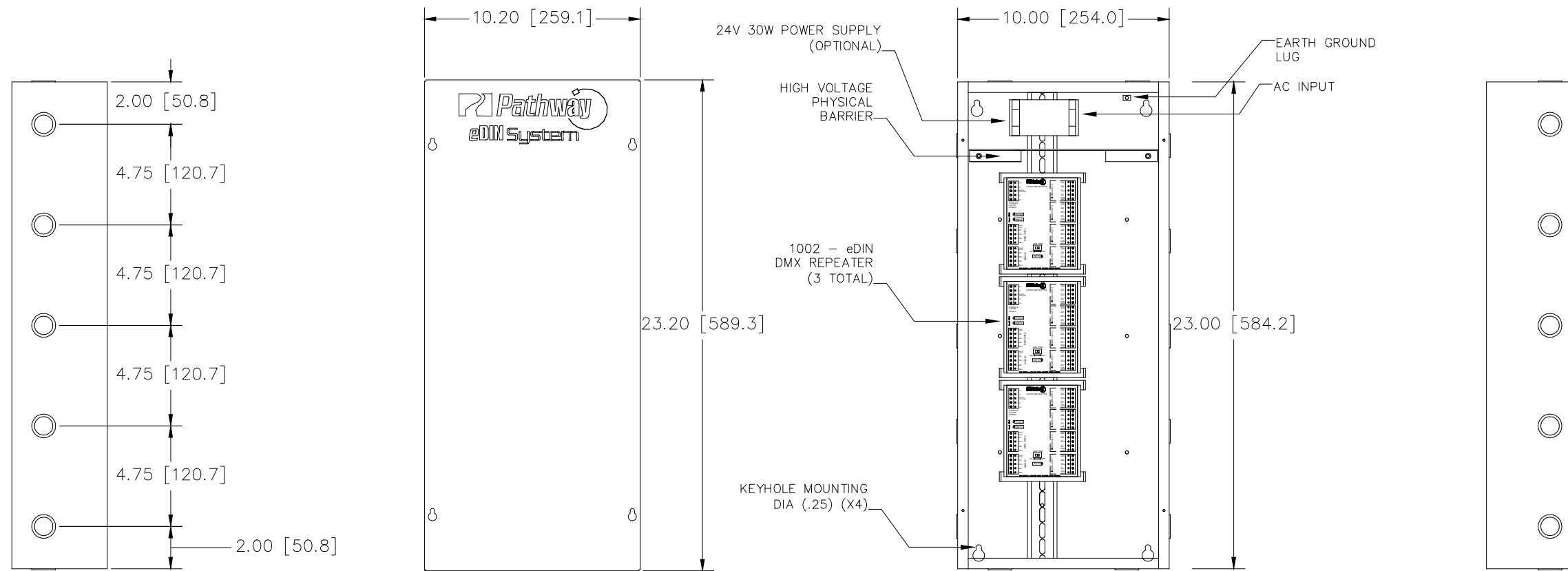
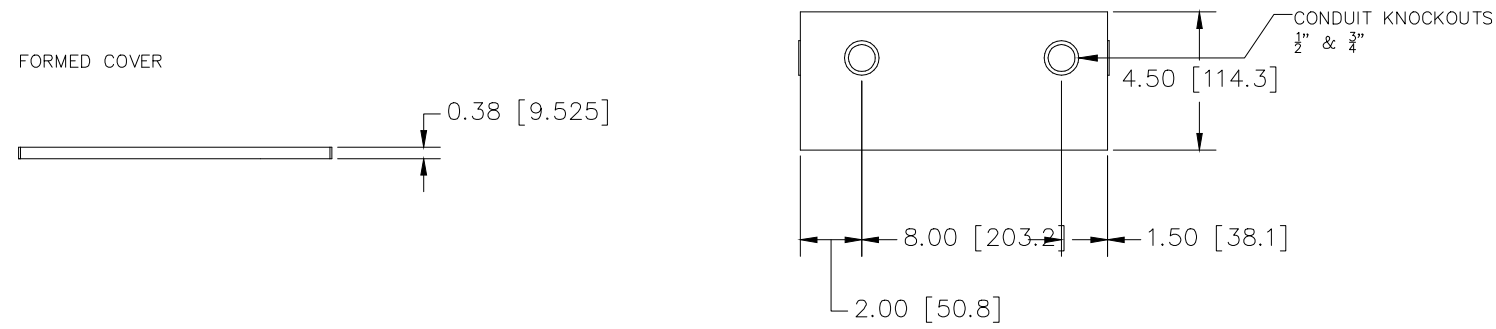
DRAWN BY:	BRIAN F. EVANS
DATE:	5/18/2017
CHECKED:	ROBERT BELL
SCALE :	NTS
UNITS:	INCHES [mm]

REV
A

SPECIFICATIONS

SURFACE MOUNT ENCLOSURE
 MATERIAL – 18 GA. COLD ROLLED STEEL
 FINISH – MATTE BLACK POWDER COAT
 35mm x 7.5mm DIN RAIL MOUNTING

10.2"x13.2"x.38" FORMED COVER (included)



4809 - 12 way eDIN Installation Splitter

FILENAME: 480x - eDIN Installation Repeaters.DWG

PART NUMBER: 4809



Pathway Connectivity Inc.
 103 Inglewood Plaza, 1439 17th Avenue SE
 Calgary, Alberta, Canada T2G 1J9
 Phone: +1(403)243-8110 Fax: +1(403)287-1281
<http://www.pathwayconnect.com>

DRAWN BY: BRIAN F. EVANS
 DATE: 5/18/2017
 CHECKED: ROBERT BELL
 SCALE: NTS
 UNITS: INCHES [mm]

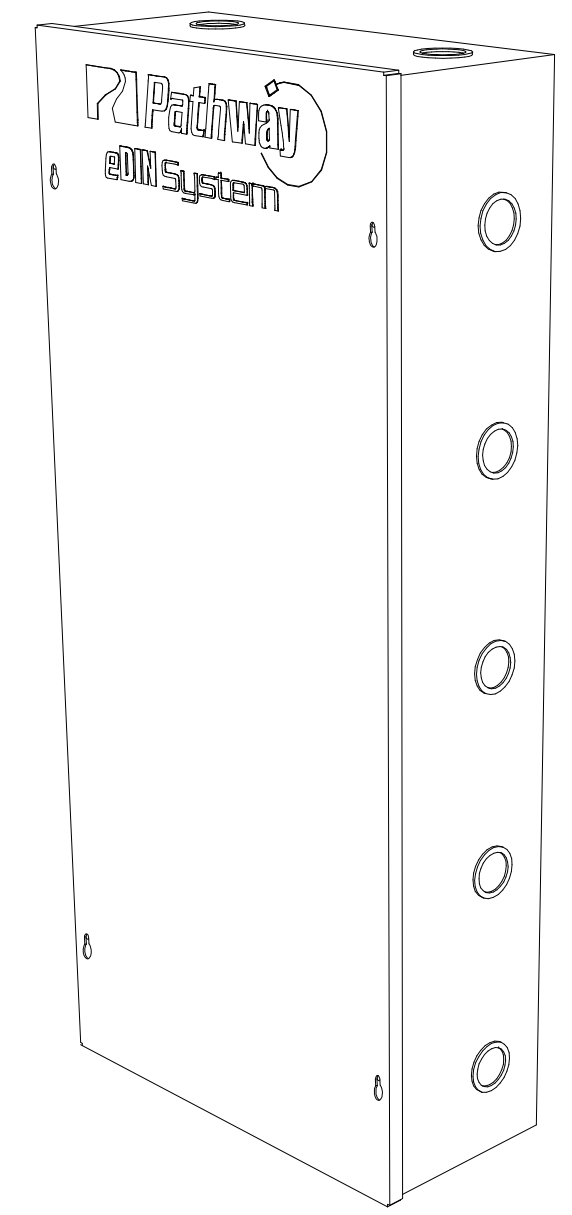
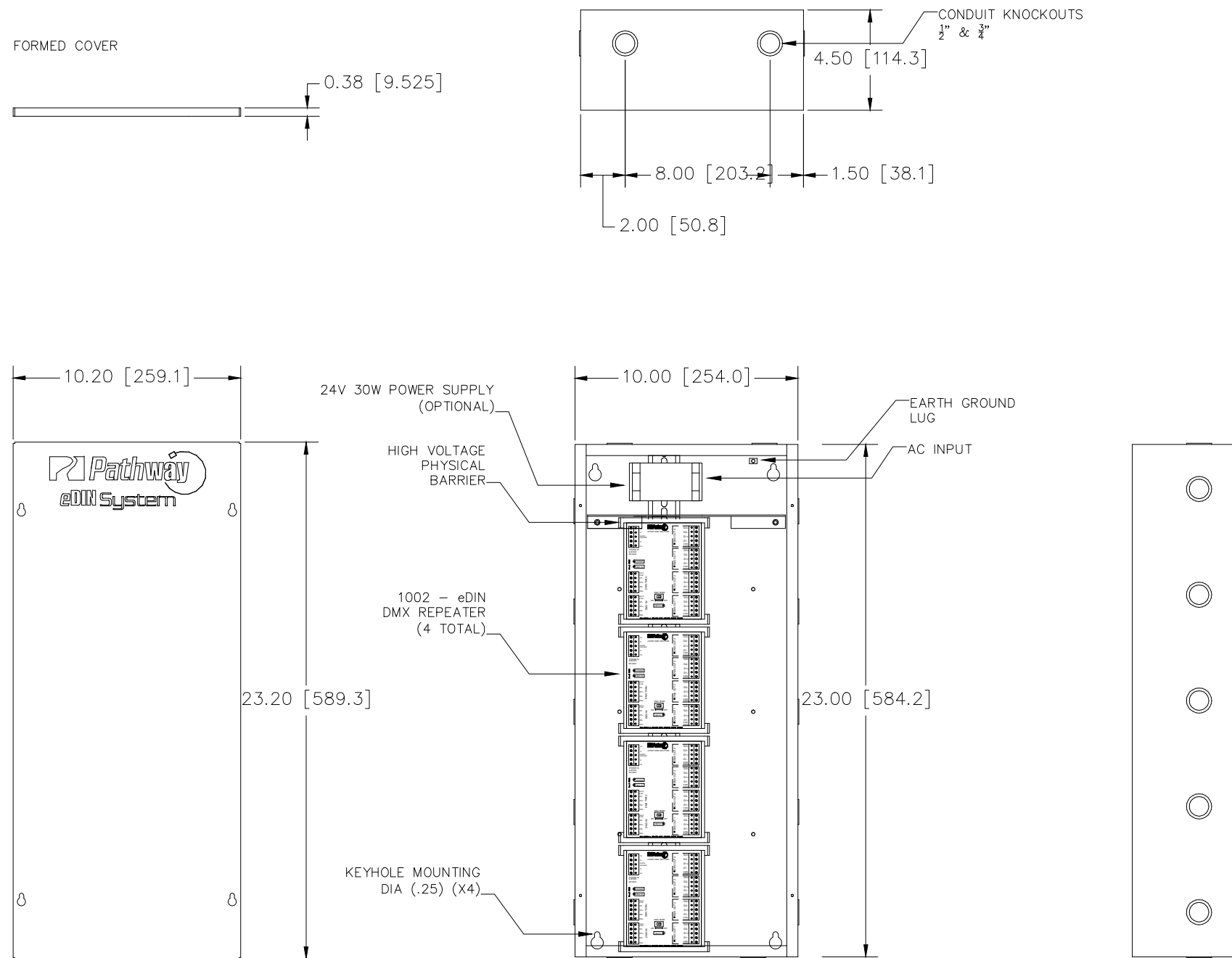
REV

A

SPECIFICATIONS

SURFACE MOUNT ENCLOSURE
 MATERIAL – 18 GA. COLD ROLLED STEEL
 FINISH – MATTE BLACK POWDER COAT
 35mm x 7.5mm DIN RAIL MOUNTING

10.2"x13.2"x.38" FORMED COVER (included)



4810 - 16 way eDIN Installation Splitter

FILENAME: 480x - eDIN Installation Repeaters.DWG

PART NUMBER: 4810



Pathway Connectivity Inc.
 103 Inglewood Plaza, 1439 17th Avenue SE
 Calgary, Alberta, Canada T2G 1J9
 Phone: +1(403)243-8110 Fax: +1(403)287-1281
<http://www.pathwayconnect.com>

DRAWN BY:	BRIAN F. EVANS
DATE:	5/18/2017
CHECKED:	ROBERT BELL
SCALE :	NTS
UNITS:	INCHES [mm]

REV
A