

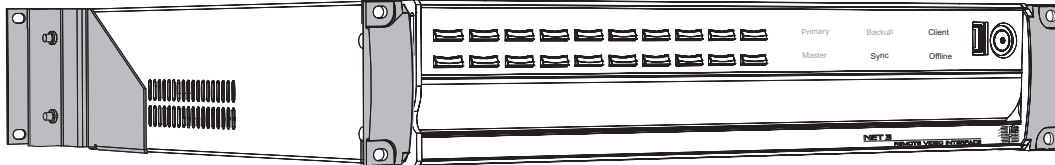
ETC® Setup Guide

2U and 3U Rack Mount Kits



2U Rack Mounting Instructions

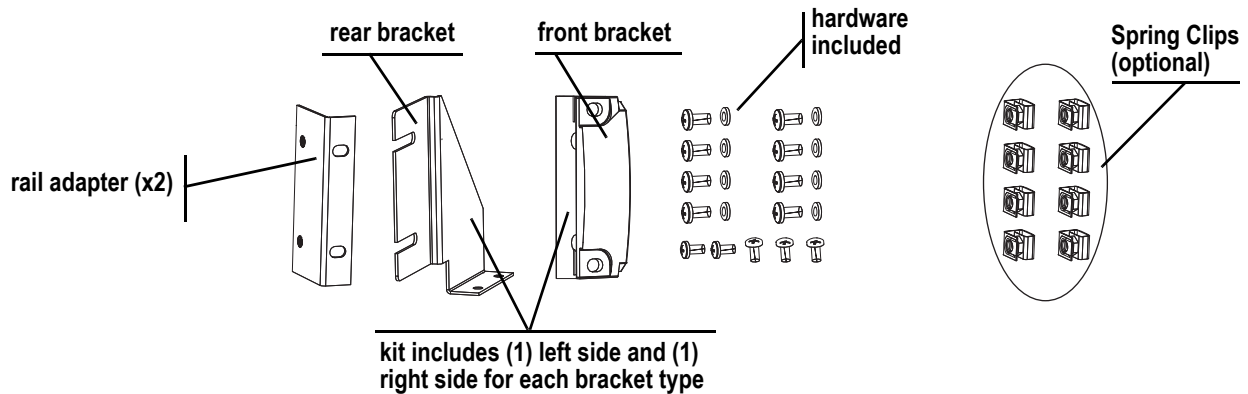
The 2U Rack Mount kit (7310A2024) may be used to mount either the Net3 Remote Video Interface (RVI), Ion Remote Processor Unit (RPU), Congo Light Server (CLS) or the Net3 Project PC into a 19" rack enclosure. Each product requires 2U of rack space. Both the front and rear mounting brackets are required for a stable rack mounting installation.



Net3 RVI shown

Install Front Rack Mounting Ears

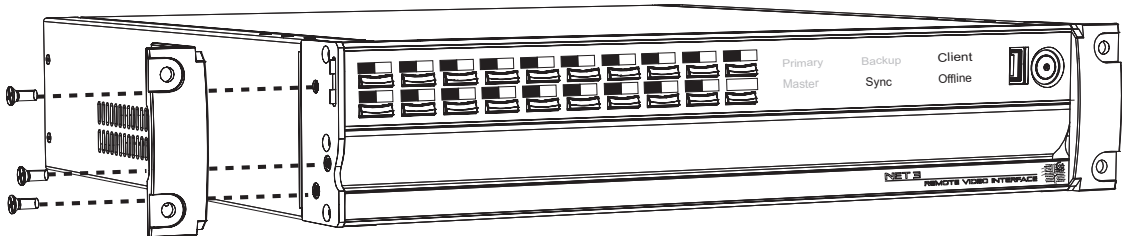
- Step 1: Remove the four rubber feet from the bottom of the unit.
- Step 2: Locate the rack mounting hardware kit including the mounting brackets and mounting hardware.



Note:

If you wish to change the label strips in the unit, you must do so before attaching the rack mounting brackets.

- Step 3: Align the front side mounting bracket to the appropriate side of the unit and secure using three 10-32 x .5 screws provided.



- Step 4: Install the opposite side front mounting bracket.



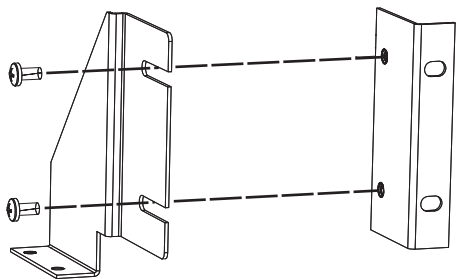
Corporate Headquarters ■ 3031 Pleasant View Road, P.O. Box 620979, Middleton, Wisconsin 53562-0979 USA ■ Tel +608 831 4116 ■ Fax +608 836 1736
London, UK ■ Unit 26-28, Victoria Industrial Estate, Victoria Road, London W3 6UU, UK ■ Tel +44 (0)20 8896 1000 ■ Fax +44 (0)20 8896 2000
Rome, IT ■ Via Pieve Torina, 48, 00156 Rome, Italy ■ Tel +39 (06) 32 111 683 ■ Fax +44 (0) 20 8752 8486
Holzkirchen, DE ■ Ohmstrasse 3, 83607 Holzkirchen, Germany ■ Tel +49 (80 24) 47 00-0 ■ Fax +49 (80 24) 47 00-3 00
Hong Kong ■ Rm 1801, 18/F, Tower 1 Phase 1, Enterprise Square, 9 Sheung Yuet Road, Kowloon Bay, Kowloon, Hong Kong ■ Tel +852 2799 1220 ■ Fax +852 2799 9325
Service: (Americas) service@etconnect.com ■ (UK) service@etceurope.com ■ (DE) techserv-hoki@etconnect.com ■ (Asia) service@etcasia.com
Web: www.etconnect.com ■ Copyright © 2012 ETC. All Rights Reserved. ■ Product information and specifications subject to change.
© 7310M2220 ■ Rev D ■ Released 2012-05 ■ ETC intends this document to be provided in its entirety.

ETC Setup Guide

Rack Mount Kits

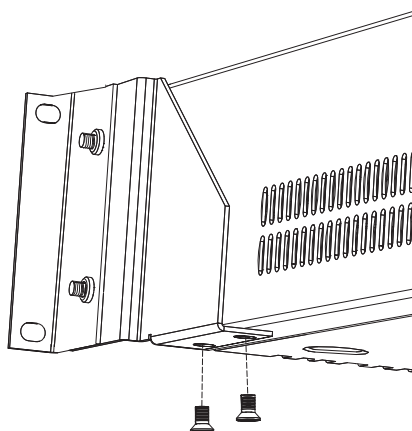
Install Rear Rack Mounting Ears

Step 1: Assemble the rear rack mounting brackets and the rail adapters together.



- Locate the two rear rack mounting brackets (left and right side), the two rail adapters and four 10-32 x .5 screws from the kit.
- Attach the rear brackets to the rail adapters as shown.

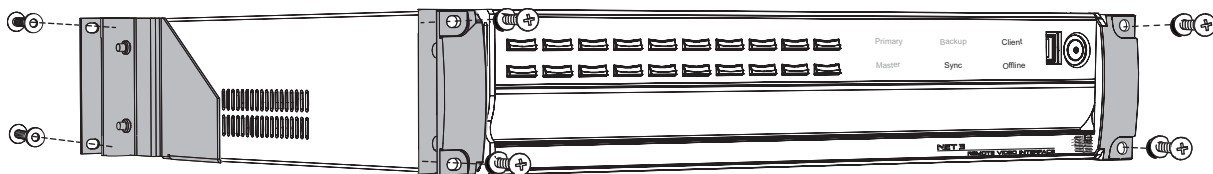
Step 2: Align the new rear mounting bracket assembly to the unit and secure using two 6-32 x .25 screws provided as shown below.



Note: Remember that the rear brackets are specific to the left or right side.

Step 3: Install the opposite side rear mounting bracket assembly.

Step 4: Use the remaining hardware to secure the unit into the 19" rack enclosure.



3U Rack Mounting Instructions

The 3U Rack Mount kit (4250A2024) may be used to mount the Eos Remote Processor Unit (RPU) into a rack enclosure. The Eos RPU requires 3U of rack space. Rack mounting the RPU requires both the front and rear mounting brackets.

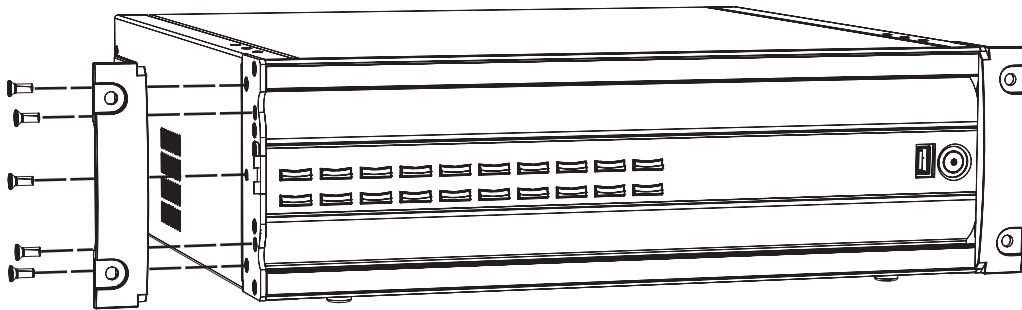
Install Front Rack Mounting Ears

- Step 1: Remove the four rubber feet from the bottom of the unit.
- Step 2: Locate the rack mounting hardware kit. It includes two front rack-mounting brackets and 10 screws.



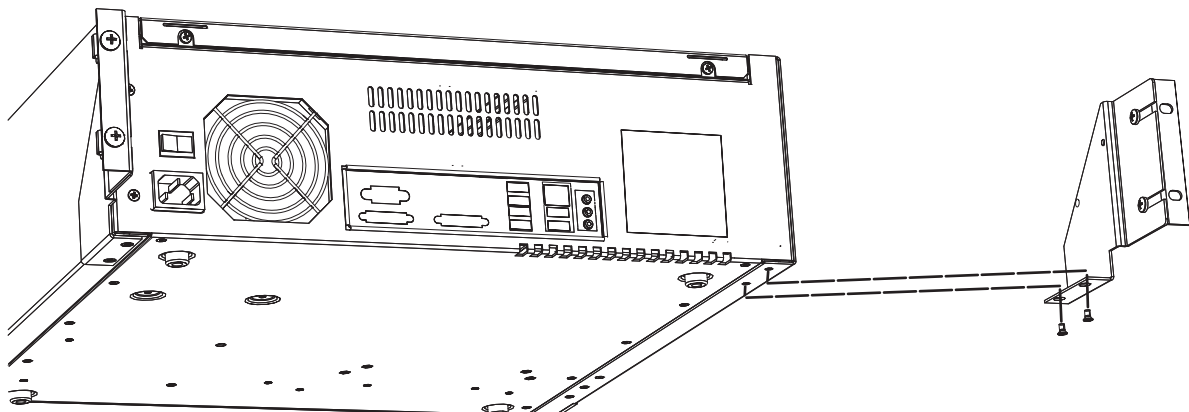
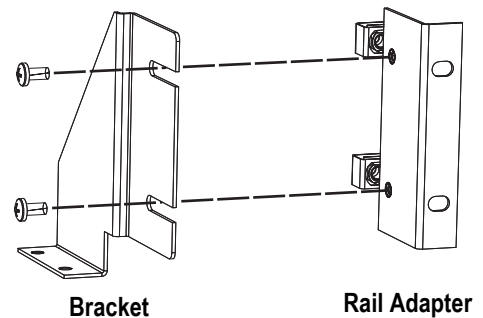
Note: *If you wish to change the labels for the RPU buttons, you must do so before attaching the rack mount brackets.*

- Step 3: Align the mounting brackets to the appropriate sides of the RPU and attach them using the screws provided as shown below. The brackets are interchangeable and will attach to either side of RPU.



Install Rear Rack Mounting Ears

- Step 1: Locate the two rear rack-mounting brackets (left & right) and rail adapters found in the rack mounting hardware kit. The rear rack-mount ears are *not* interchangeable and must be attached to the proper side of the RPU.
- Step 2: Attach the brackets to the rail adapters as shown at right.
- Step 3: Attach the combined bracket-adapter to the RPU using the two 3/8" screws. Insert the screws up through the bracket and into the bottom side of the RPU as shown below.



- Step 4: Repeat steps 1-3 for installation of the second bracket and adapter.
- Step 5: Install the RPU in the equipment rack using the appropriate rack-mounting hardware.