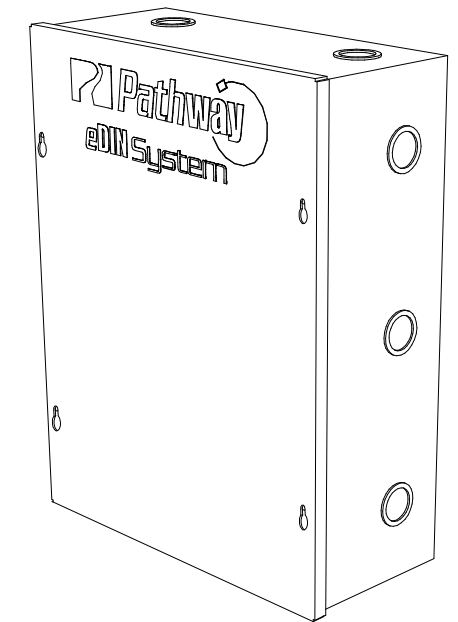
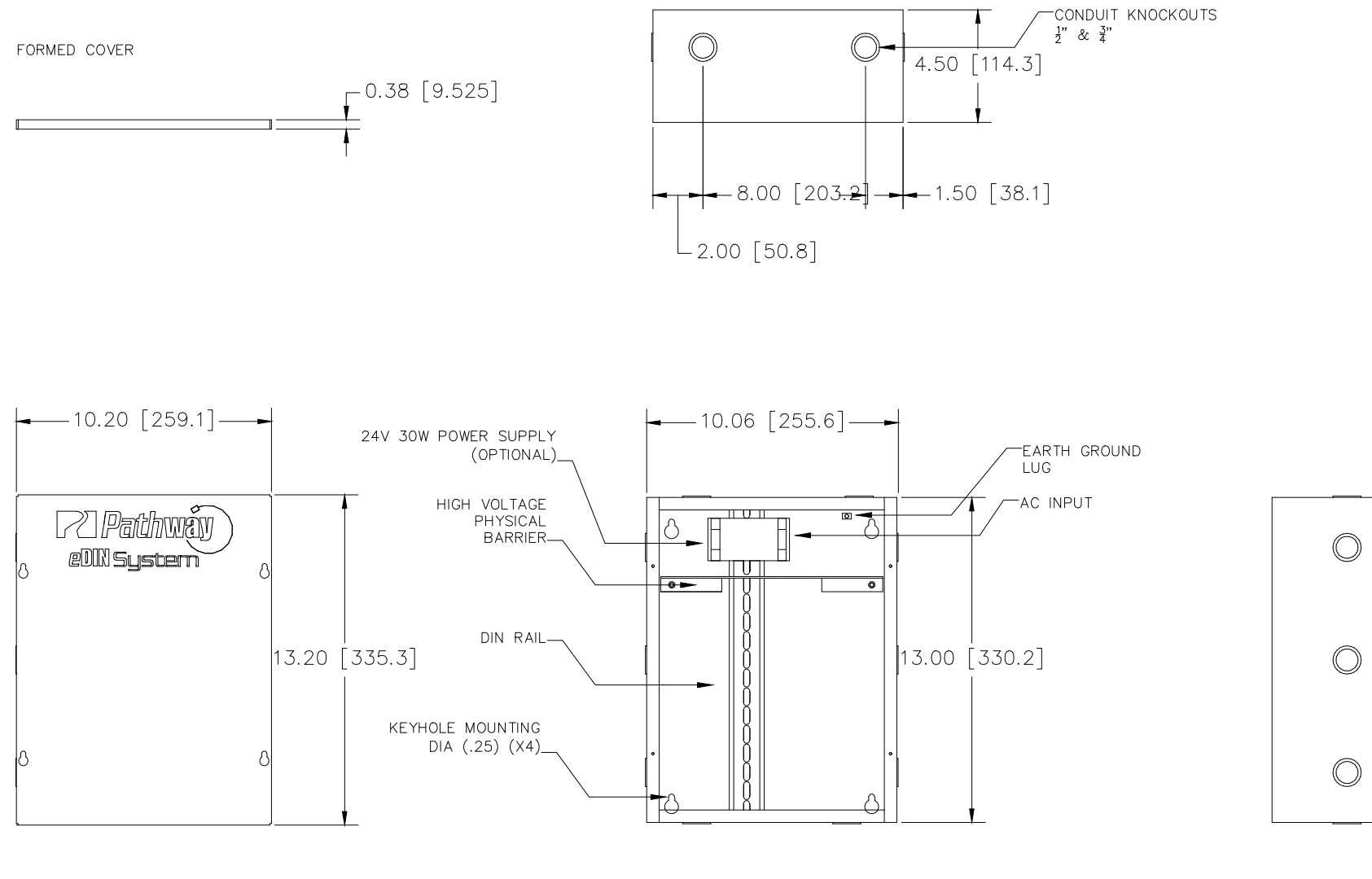


# SPECIFICATIONS

SURFACE MOUNT ENCLOSURE  
 MATERIAL – 18 GA. COLD ROLLED STEEL  
 FINISH – MATTE BLACK POWDER COAT  
 35mm x 7.5mm DIN RAIL MOUNTING  
 AVAILABLE RAIL SPACE – 9" (228mm)



## 1105 - eDIN SMALL ENCLOSURE

FILENAME: 1105 1106 1107 1108 eDIN Enclosure.DWG

PART NUMBER: 1105



### Pathway Connectivity

103 Inglewood Plaza, 1439 17th Avenue SE  
 Calgary, Alberta, Canada T2G 1J9  
 Phone: +1(403)243-8110 Fax: +1(403)287-1281  
<http://www.pathwayconnect.com>

DRAWN BY: BRIAN F. EVANS

DATE: 5/17/2017

CHECKED: ROBERT BELL

SCALE: NTS

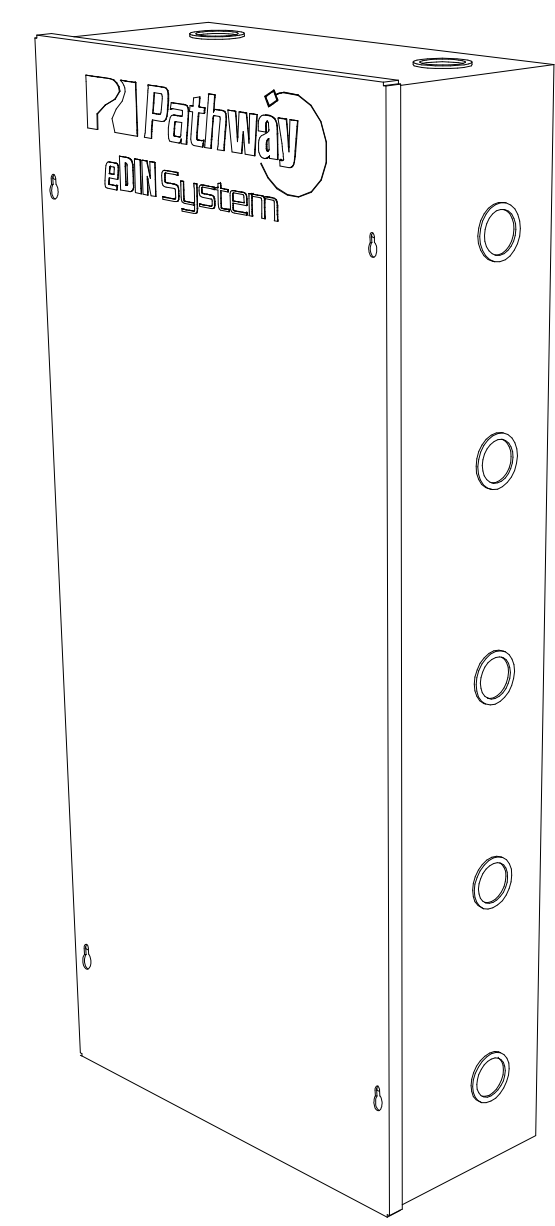
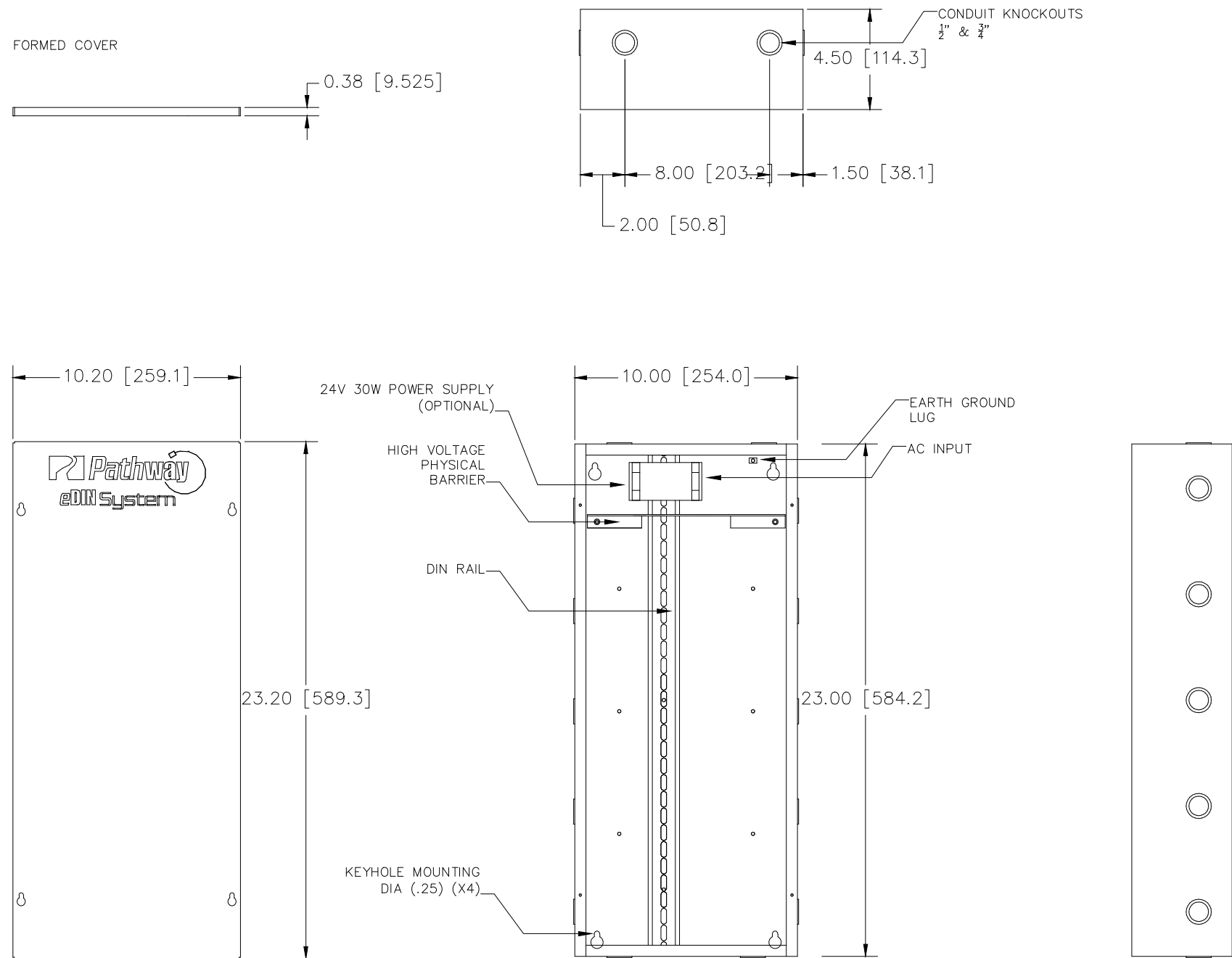
UNITS: INCHES [mm]

REV

**A**

# SPECIFICATIONS

SURFACE MOUNT ENCLOSURE  
 MATERIAL – 18 GA. COLD ROLLED STEEL  
 FINISH – MATTE BLACK POWDER COAT  
 35mm x 7.5mm DIN RAIL MOUNTING  
 AVAILABLE RAIL SPACE – 19.5" (495mm)



## 1106 - eDIN LARGE ENCLOSURE

FILENAME: 1105 1106 1107 1108 eDIN Enclosure.DWG

PART NUMBER: 1106



### Pathway Connectivity

103 Inglewood Plaza, 1439 17th Avenue SE  
 Calgary, Alberta, Canada T2G 1J9  
 Phone: +1(403)243-8110 Fax: +1(403)287-1281  
<http://www.pathwayconnect.com>

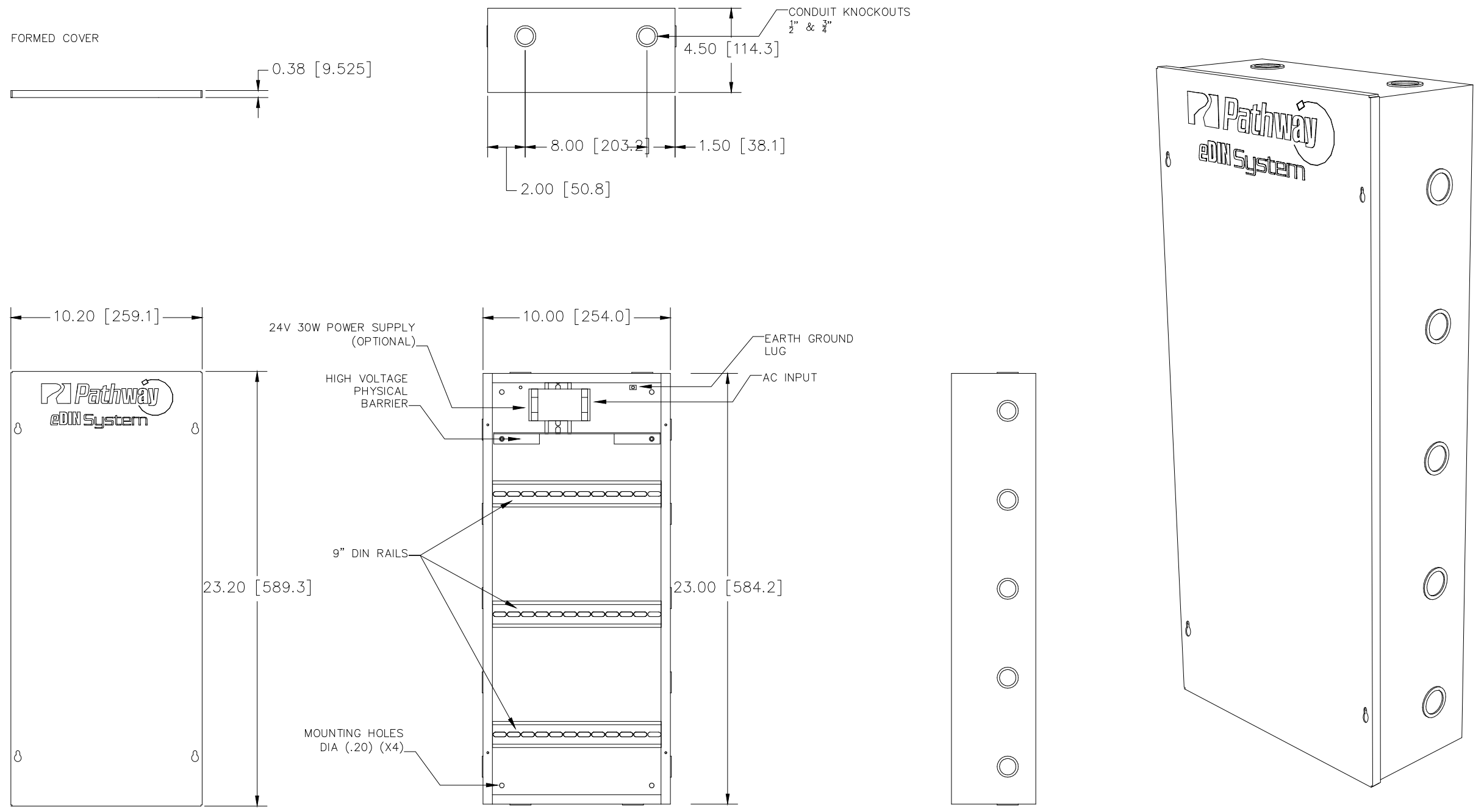
DRAWN BY: BRIAN F. EVANS  
 DATE: 5/17/2017  
 CHECKED: ROBERT BELL  
 SCALE: NTS  
 UNITS: INCHES [mm]

REV

**A**

# SPECIFICATIONS

SURFACE MOUNT ENCLOSURE  
 MATERIAL – 18 GA. COLD ROLLED STEEL  
 FINISH – MATTE BLACK POWDER COAT  
 35mm x 7.5mm DIN RAIL MOUNTING  
 AVAILABLE RAIL SPACE – (3) 9" (228mm)



## 1107 - eDIN LARGE ENCLOSURE

FILENAME: 1105 1106 1107 1108 eDIN Enclosure.DWG

PART NUMBER: 1107



### Pathway Connectivity

103 Inglewood Plaza, 1439 17th Avenue SE  
 Calgary, Alberta, Canada T2G 1J9  
 Phone: +1(403)243-8110 Fax: +1(403)287-1281  
<http://www.pathwayconnect.com>

DRAWN BY: BRIAN F. EVANS

DATE: 5/17/2017

CHECKED: ROBERT BELL

SCALE: NTS

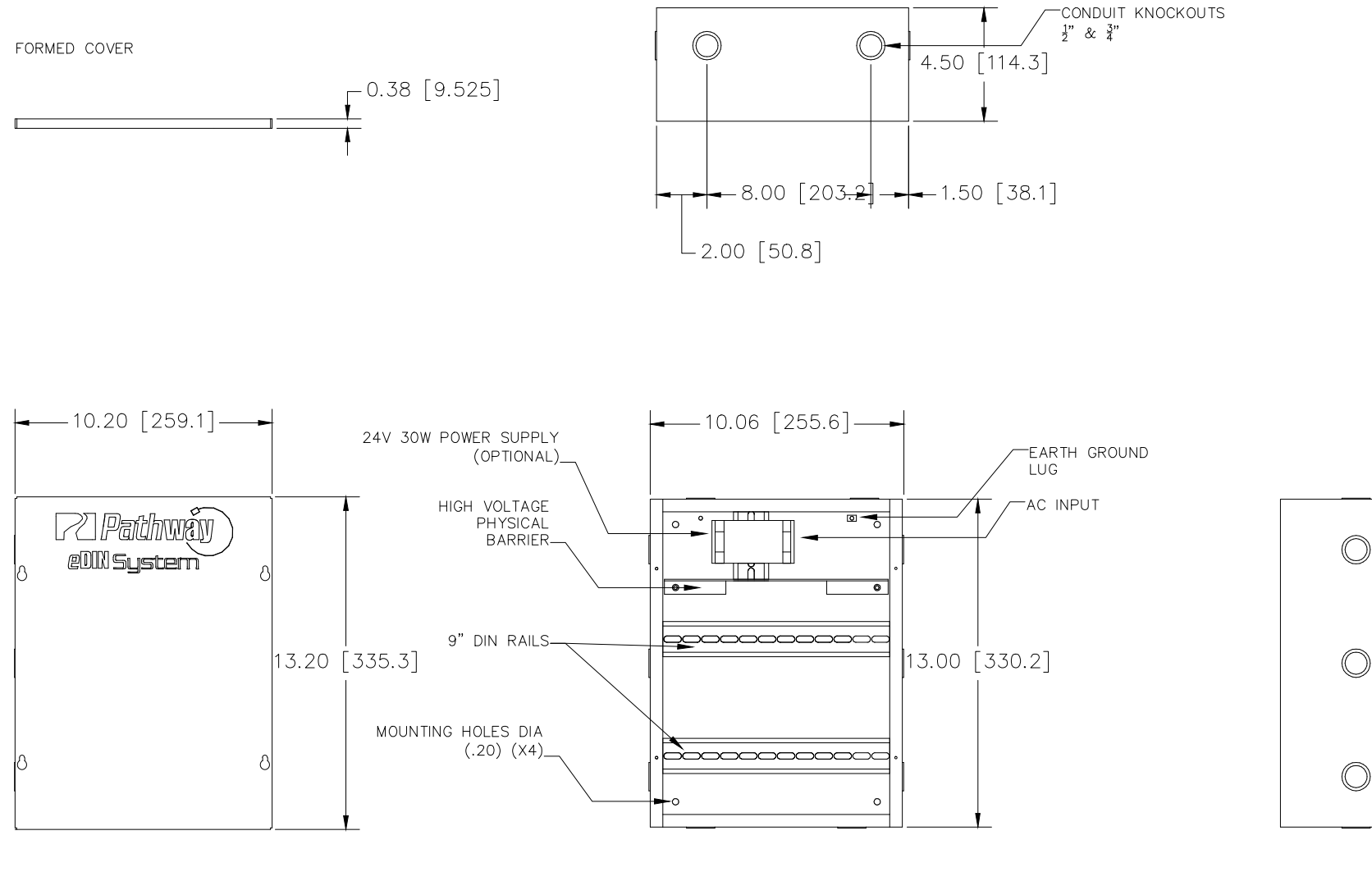
UNITS: INCHES [mm]

REV

**A**

# SPECIFICATIONS

SURFACE MOUNT ENCLOSURE  
 MATERIAL – 18 GA. COLD ROLLED STEEL  
 FINISH – MATTE BLACK POWDER COAT  
 35mm x 7.5mm DIN RAIL MOUNTING  
 AVAILABLE RAIL SPACE – (2) 9" (228mm)



## 1108 - eDIN SMALL ENCLOSURE

FILENAME: 1105 1106 1107 1108 eDIN Enclosure.DWG

PART NUMBER: 1108



### Pathway Connectivity

103 Inglewood Plaza, 1439 17th Avenue SE  
 Calgary, Alberta, Canada T2G 1J9  
 Phone: +1(403)243-8110 Fax: +1(403)287-1281  
<http://www.pathwayconnect.com>

DRAWN BY: BRIAN F. EVANS  
 DATE: 5/17/2017  
 CHECKED: ROBERT BELL  
 SCALE: NTS  
 UNITS: INCHES [mm]

REV

**A**