

GENERAL INFORMATION

Electronic Control Plug-in Boxes or ECPBs allow lighting controls to connect and operate lighting and other equipment. Connections vary from industry standard DMX512 and Ethernet to portable houselight control and remote control devices.

APPLICATIONS

- An integral part of any complete lighting system installation:
 - Theatres and auditoriums
 - Television Studios
 - Houses of Worship
 - Museums
 - Casinos
 - Hospitality

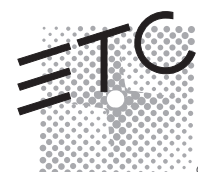
FEATURES

- Surface or flush mount options
- Fits in most standard back boxes depending on variation
- Data options include:
 - DMX512 Input or Output
 - Remote Focus Unit (RFU)
 - Ethernet Network
 - Portable Unison station
 - Serial or computer interface
 - AC power option (voltage barrier required)

ORDERING INFORMATION

Standard Plug-in Stations

MODEL	DESCRIPTION
ECPB DMXIN	DMX In Plug-in station
ECPB RFU	RFU Plug-in station
ECPB NET	NET Plug-in station
ECPB DMXOUT	DMX Out Plug-in station
ECPB DMX/2-OUT	DMX 2-Out Plug-in station
ECPB DMX/3-OUT	DMX 3-Out Plug-in station
ECPB DMXOUT/RFU	DMX Out, RFU Plug-in station
ECPB DMXIN/RFU	DMX In, RFU Plug-in station
ECPB DMX IN/OUT	DMX In / Out Plug-in station
ECPB DMXIN/2-IN	DMX 1-In / DMX 2-In Plug-in station
ECPB DMXIN/NET	DMX 1-In / NET Plug-in station
ECPB DMXIN/2-IN/RFU/NET	DMX 1-In, DMX 2-In, RFU, Net Plug-in station
ECPB DMXIN/RFU/NET	DMX In, RFU, NET Plug-in station
ECPB DMXIN/RFU/NET/Unison	DMX In, RFU, NET, Unison Plug-in station
ECPB NET/AC	NET, AC Plug-in station
ECPB NET/NET	NET, NET Plug-in station
ECPB NET/NET/AC	NET, NET, AC Plug-in station
ECPB RFU/NET	RFU, NET Plug-in station
ECPB RFU/NET/UNISON	RFU, NET, Unison Plug-in station
ECPB UNISON/NET	UNISON, NET Plug-in station



SPECIFICATIONS

GENERAL

- Consist of the appropriate connectors required for the functional intent of the system
- Available with DMX input or output, Remote Focus Unit (RFU), Network, or architectural control connectors

CONNECTOR OPTIONS

- Following standard connectors available for Plug-in Stations:
 - 5-Pin male XLR connectors for DMX input
 - 5-Pin female XLR connectors for DMX output
 - 6-Pin female XLR connectors for RFU connections
 - RJ45 connectors for Network connections - Twisted Pair
 - 6-Pin female DIN connectors for Unison connections
 - DB9 female serial connector for architectural control from a computer
- Custom combinations and custom control connections available.

ELECTRICAL

- Low voltage class 2 wiring
- Operating Voltage: 12/24V Direct Current
- Barriers provided when line-voltage and Class 2 controls are ganged together in the same wallbox
- Terminal block supplied for contractor terminations

PHYSICAL

- Faceplates are .80" aluminum
- Finished in fine texture, scratch-resistant black powder coat
- White silk-screened graphics standard; engraving or custom legends available
- Mounts in an industry standard flush mount back box (supplied by others),
- Surface mount back boxes available from ETC
- Optional U-Bolt Kit for pipe mounting

PHYSICAL

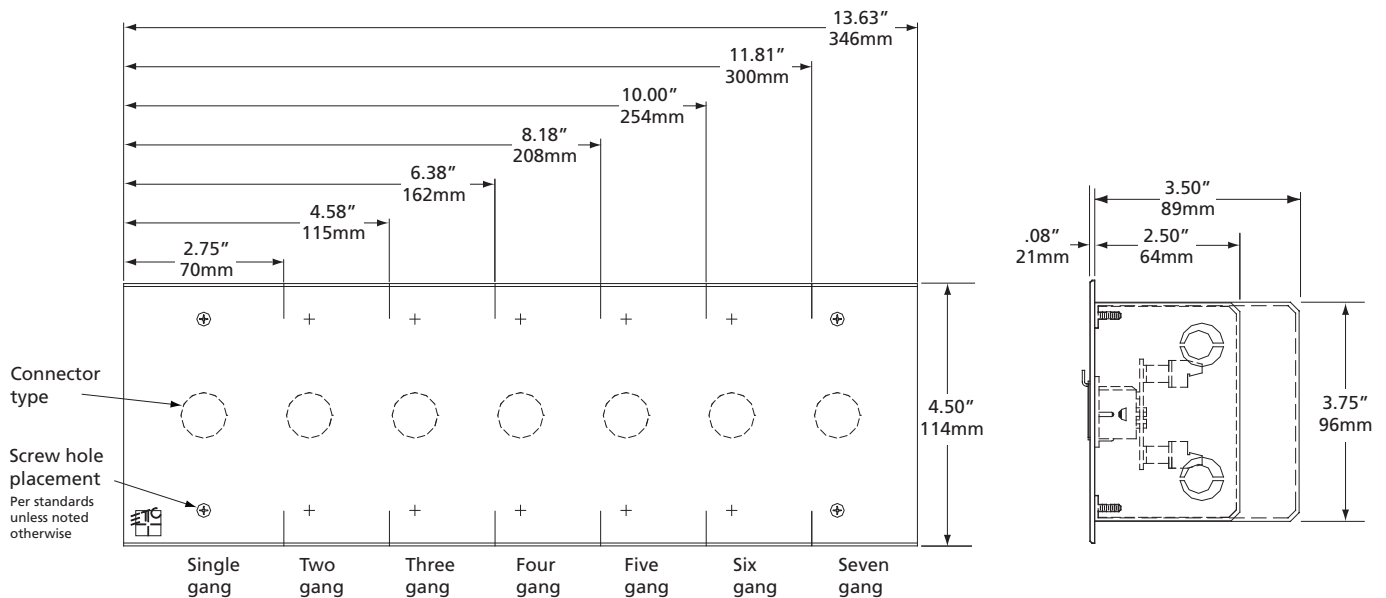
Station Wall Plate Dimensions*

MODEL	WIDTH		HEIGHT		DEPTH	
	inches	mm	inches	mm	inches	mm
Single gang	2.75	70	4.50	114	2.50	64
Two gang	4.56	115	4.50	114	2.50	64
Three gang	6.38	162	4.50	114	3.50	89
Four gang	8.18	208	4.50	114	3.50	89
Five gang	10.00	254	4.50	114	3.50	89
Six gang	11.81	300	4.50	114	3.50	89
Seven gang	13.63	346	4.50	114	3.50	89

Station Back Boxes (supplied by others)

MODEL	SUGGESTED BOX
Single gang	RACO 690 or equivalent
Two gang	RACO 691 or equivalent
Three gang	RACO 697 or equivalent
Four gang	RACO 698 or equivalent
Five gang	RACO 699 or equivalent
Six gang	RACO 695 or equivalent
Seven gang	By ETC

* Custom stations may go up to a seven gang backbox. Gangable back boxes are not acceptable.



Corporate Headquarters • 3031 Pleasant View Rd, PO Box 620979, Middleton WI 53562 0979 USA • Tel +1 608 831 4116 • Fax +1 608 836 1736
 London, UK • Unit 26-28, Victoria Industrial Estate, Victoria Road, London W3 6UU, UK • Tel +44 (0)20 8896 1000 • Fax +44 (0)20 8896 2000
 Rome, IT • Via Ennio Quirino Visconti, 11, 00193 Rome, Italy • Tel +39 (06) 32 111 683 • Fax +39 (06) 32 656 990
 Holzkirchen, DE • Ohmstrasse 3, 83607 Holzkirchen, Germany • Tel +49 (80 24) 47 00-0 • Fax +49 (80 24) 47 00-3 00
 Hong Kong • Room 1801, 18/F, Tower 1 Phase 1, Enterprise Square, 9 Sheung Yuet Road, Kowloon Bay, Kowloon, Hong Kong • Tel +852 2799 1220 • Fax +852 2799 9325
 Web • www.etcconnect.com • Copyright©2007 ETC. All Rights Reserved. All product information and specifications subject to change. 1094L1000 Rev.A Printed in USA 10/07